



CHAPTER 17

Spectrum Management and Advanced Spectrum Management for the Cisco CMTS

Revised: March 30, 2009

This chapter describes the spectrum management features supported by the Cisco Cable Modem Termination System (CMTS) universal broadband routers. Spectrum management support is divided into two main groups:

- Guided and scheduled spectrum management features (supported in software)
- Intelligent and advanced spectrum management features (supported in hardware only on specific cable interfaces)

Cisco IOS Release 12.3(13a)BC introduces advanced spectrum management support (software and hardware) for the Cisco uBR5X20S/U/H broadband processing engine (BPE) in the Cisco uBR10012 universal broadband router.

Feature History for Spectrum Management for the Cisco CMTS

Release	Modification
Release 11.3(9)NA, Release 12.0(6)SC, and Release 12.1(2)EC	Guided and scheduled spectrum management was introduced on Cisco uBR7200 series routers.
Release 12.1(5)EC	Support was added for guided and scheduled spectrum management on Cisco uBR7100 series routers.
Release 12.1(10)EC1, Release 12.2(4)BC1	The SNR algorithm was corrected to display a more accurate value for upstreams.
Release 12.2(4)BC1	Support was added for guided and scheduled spectrum management on Cisco uBR10012 routers.
Release 12.2(15)BC1	Support was added for guided and scheduled spectrum management on the Cisco uBR10-MC5X20S/U/H cable interface line card.

Release 12.2(15)BC2	<p>This release added the following support:</p> <ul style="list-style-type: none"> • Support was added for intelligent and advanced spectrum management on the Cisco uBR-MC16U/X and Cisco uBR-MC28U/X cable interface line cards. • Support was added for guided and scheduled spectrum management on the Cisco uBR10-MC5X20S/U/H line card. • The maximum number of spectrum groups was increased from 32 to 40 groups per router. • The number of predefined modulation profiles was increased.
Release 12.3(9)BC	<p>This release added the following support:</p> <ul style="list-style-type: none"> • Spectrum management support with the Cisco Broadband Troubleshooter (CBT) 3.2 for the Cisco MC5X20S/U/H Broadband Processing Engine (BPE).
Release 12.3(13a)BC	<p>This release added the following support:</p> <ul style="list-style-type: none"> • Advanced spectrum management support for the Cisco MC5X20S/U/H Broadband Processing Engine (BPE) in the Cisco uBR10012 Universal Broadband router.
Release 12.3(21)BC	<p>This release added the following support:</p> <ul style="list-style-type: none"> • Shared spectrum groups for DOCSIS 3.0, otherwise referred to as Fiber Node Groups, supporting inter-line card or intra-line card group combining. Refer to the “Configuring Shared Spectrum Groups (Fiber Node Groups) for DOCSIS 3.0” section on page 17-34. <p>Note The show controllers cable upstream spectrum command is obsolete.</p>
Release 12.3(23)BC7	<p>This release added the following support:</p> <ul style="list-style-type: none"> • The Dynamic Upstream Modulation feature was enhanced to support a configuration of up to three modulation profiles. The feature now allows a 64-QAM-based modulation profile also to increase the upstream throughput and to satisfy the demand for new spectrum management. • The cable upstream modulation command was enhanced to accept up to three profiles, instead of the existing two. • The cable upstream threshold hysteresis command was introduced to allow configurable hysteresis values for spectrum management channel upgrade thresholds. • The show cable hop history command was introduced to display the modulation profile number when a change occurs.

Finding Support Information for Platforms and Cisco IOS Software Images

Use Cisco Feature Navigator to find information about platform support and Cisco IOS software image support. Access Cisco Feature Navigator at <http://www.cisco.com/go/fn>. An account on Cisco.com is not required.

Contents

- [Prerequisites for Spectrum Management and Advanced Spectrum Management, page 17-3](#)
- [Restrictions for Spectrum Management, page 17-4](#)
- [Information About Spectrum Management, page 17-7](#)
- [How to Configure Spectrum Management, page 17-26](#)
- [Monitoring Spectrum Management, page 17-53](#)
- [Configuration Examples, page 17-59](#)
- [Additional References, page 17-75](#)


Note

This chapter provides configuration information but not a complete command reference. For complete information on the commands used in this chapter, see the [Cisco IOS CMTS Cable Command Reference](#).

Prerequisites for Spectrum Management and Advanced Spectrum Management

- The appropriate Cisco IOS release for the desired features. For a list of supported Cisco IOS releases by feature, see [Table 17-1 on page 17-5](#).
- Guided and scheduled spectrum management features require one of the following Cisco CMTS routers, and one or more of the indicated cable interfaces:

Cisco uBR7100 series (all models)

Cisco uBR7200 series router and one or more of the following cable interfaces:

- Cisco uBR-MC16U/X cable interface line cards
- Cisco uBR-MC28U/X cable interface line cards

Cisco uBR10012 router and one or more of the following cable interfaces:

- Cisco uBR10-MC5X20S/U/H cable interface line cards

- Intelligent and advanced spectrum management (hardware-based, CNR frequency hopping) requires the following Cisco CMTS routers and one of more of the indicated cable interfaces:

Cisco uBR7200 series router and one or more of the following cable interfaces:

- Cisco uBR-MC16U/X cable interface line cards
- Cisco uBR-MC28U/X cable interface line cards

Cisco uBR10012 router and the following cable interface:

- Cisco uBR10-MC5X20S/U/H


Note

You must have Cisco IOS Release 12.3(13a)BC installed in your router if you are using the Cisco uBR-MC5X20S/U BPE.

- Ensure that your network is designed to support reliable broadband data transmission. At minimum, your network must include:
 - A Dynamic Host Configuration Protocol (DHCP) server to assign IP addresses to cable modems or set-top boxes on the hybrid fiber-coaxial (HFC) network. This can be a server on the WAN side of the Cisco uBR7200 series router or a Cisco CMTS router that has been configured to act as the DHCP server.
 - If you are not using the Cisco uBR7100 series router with integrated upconverter, you must install the appropriate IF-to-RF external upconverter between the Cisco CMTS router and the combiner.



Note The term “combiner” refers to all cables, amplifiers, and taps at the headend or cable distribution center that connect the Cisco CMTS router to the HFC network.

- Diplex filters installed in the downstream RF path between the cable modems and the cable interface cards in the router. RG-59 headend coaxial cable with the maximum braid available (60 percent + 40 percent braid), double foil, and the correct connector for this cable.
- Avoid frequencies with known ingress problems such as amateur radio bands or short-wave bands.
- Avoid hostile spectrums below 20 MHz.
- When designing your channel plan, allow extra bands for frequency hopping.
- Place upstream ports in the same combiner group in a shared spectrum group.
- Use the receive power level setting to perform slight equalization adjustments.
- Due to the nature of CATV technology, upstream noise management is a significant issue. We recommend that you follow the rigorous North American plant maintenance procedures that are documented in the *NCTA Supplement on Upstream Transport Issues* to adjust return amplifiers and lasers.

Restrictions for Spectrum Management

This section describes the restrictions for the following spectrum management features:

- [Shared Spectrum Groups, page 17-4](#)
- [Cisco IOS Releases and Cable Interface Line Card Support, page 17-5](#)
- [Dynamic Upstream Modulation, page 17-5](#)
- [Fixed-Frequency Spectrum Groups with Advanced Spectrum Management, page 17-6](#)
- [Limitations on Upstream Modulation Parameters for PacketCable VoIP Calls, page 17-6](#)
- [HCCP 1+1 and N+1 Redundancy Support, page 17-6](#)
- [Intelligent and Advanced Spectrum Management Support, page 17-6](#)

Shared Spectrum Groups

- Advance spectrum management does not support inter-line-card shared spectrum groups.
- Guided spectrum management does support inter-line-card shared spectrum groups.

Cisco IOS Releases and Cable Interface Line Card Support

The guided and scheduled spectrum management features are available for all currently supported cable interface line cards. These features were released in phases. [Table 17-1](#) summarizes the individual features in this basic spectrum management feature set, and the initial Cisco IOS software releases that introduced them.

Table 17-1 Summary of Guided and Scheduled Spectrum Management Features by Release

Feature	Cisco IOS Release Supported
Traffic Shaping, page 17-16 Upstream Traffic Shaping, page 17-16 Downstream Traffic Shaping, page 17-17	12.1(2)EC1, 12.2(4)BC1, and later releases
Dynamic Upstream Modulation (SNR-Based), page 17-19 Guided Frequency Hopping, page 17-18 Time-Scheduled Frequency Hopping, page 17-19	12.1(3a)EC1, 12.0(13)SC, 12.2(4)BC1, and later releases
Input Power Levels, page 17-21	12.0(6)SC, 12.1(2)EC1, 12.2(4)BC1, and later releases
Advanced Spectrum Management Support Using the Cisco uBR10-MC5X20S/U/H BPE, page 17-22	12.3(13a)BC and later releases

The intelligent and advanced spectrum management features were also released in phases. [Table 17-2](#) shows the minimum software releases that are needed for these features on the cable interface line cards that support them.

Table 17-2 Minimum Cisco IOS Releases for Intelligent and Advanced Spectrum Management Support

Cable Interface Line Card	Minimum Cisco IOS Release
Cisco uBR7200 Series Routers	
Cisco uBR-MC16U/X	12.2(15)CX, 12.2(15)BC2
Cisco uBR-MC28U/X	12.2(15)CX, 12.2(15)BC2
Cisco uBR10012 Router	
Cisco uBR10-MC5X20S/U/H	12.3(13a)BC

Dynamic Upstream Modulation

- The Cisco router has one preconfigured (primary) modulation profile that defines a typical profile for quadrature phase-shift keying (QPSK) modulation. To use the Dynamic Upstream Modulation feature, you must create a secondary modulation profile that has a higher modulation scheme than the preconfigured profile. In Three Step Dynamic Modulation, supported from Cisco IOS Release 12.3(23)BC7, you can create and use a third modulation profile. However, the third modulation profile is optional.
- Upstream modulation profiles are assigned to upstream ports and affect all cable modems on those upstream ports.
- Modulation profiles affect the physical layer of the cable network, so only trained technicians who are familiar with the DOCSIS specifications should create modulation profiles.

- When using the Dynamic Upstream Modulation feature with Voice over IP (VoIP) services, frequent changes to the upstream modulation or channel width could briefly impact the quality of voice calls.

Fixed-Frequency Spectrum Groups with Advanced Spectrum Management

When using cable interface line cards that support advanced spectrum management (such as Cisco uBR-MC16U/X, Cisco uBR-MC28U/X, and the Cisco uBR10-MC5X20S/U/H), do not configure fixed-frequency spectrum groups by specifying a frequency using the **cable spectrum-group frequency** command (for example, **cable spectrum-group 3 frequency 7600000**). If fixed-frequency spectrum groups are desired, configure a band with a starting and ending range, which, along with the desired channel width, specifies the desired center frequency. In this situation, you must also configure a static channel width so that the Dynamic Upstream Modulation feature does not attempt to hop to a different frequency using a smaller channel width.

For example, to specify a center frequency of 7.6 MHz with a 3.2-MHz channel width, specify a starting frequency of 6.0 MHz (7.6 MHz - 1.6 MHz) and an ending frequency of 9.2 MHz (7.6 MHz + 1.6 MHz):

```
CMTS(config)# cable spectrum-group 15 band 6000000 9200000
CMTS(config)# interface cable 6/0
CMTS(config-if)# cable upstream 0 channel-width 3200000 3200000
CMTS(config-if)# cable upstream 0 spectrum-group 15
```



Note

Cisco IOS Release 12.2(8)BC2 does not support spectrum groups with fixed frequencies on the Cisco uBR10012 router.

Limitations on Upstream Modulation Parameters for PacketCable VoIP Calls

We recommend the use of a channel width that is 800 KHz and above while configuring upstreams for PacketCable operations and VoIP calls. (All DOCSIS channel widths and upstream parameter combinations are supported, but not optimum when offering VoIP.)

HCCP 1+1 and N+1 Redundancy Support

Hot Standby Connection-to-Connection Protocol (HCCP) 1+1 redundancy requires that the Working and Protect cable interface line cards be identical. This ensures that the Protect interface supports the same exact configuration as the Working interface. When protecting cards that support intelligent and advanced spectrum management (Cisco uBR-MC16U/X, Cisco uBR-MC28U/X, and Cisco uBR10-MC5X20S/U/H), a switchover preserves the spectrum management configuration, and the Protect interface initially uses the same upstream frequency as the Working interface. However, the Protect interface does not begin using the advanced spectrum management features until the system stabilizes, so as to avoid any unnecessary frequency hops or channel width changes.

Intelligent and Advanced Spectrum Management Support

- Intelligent and advanced spectrum management is supported on the Cisco uBR10-MC5X20S/U/H BPE in Cisco IOS Release 12.3(13a)BC.
- Cable interfaces use standard DOCSIS, EuroDOCSIS, and the extended Japanese frequency ranges (5 to 55 MHz for upstream interfaces) to support the intelligent and advanced spectrum management features.

- Intelligent and advanced spectrum management features are supported only in the DOCSIS 1.0 and DOCSIS 1.1 Time Division Multiple Access (TDMA) mode of operation. These features cannot be used when a cable interface is operating in the DOCSIS 2.0 mixed and Advanced TDMA (A-TDMA) modes of operation.
- Upstream channels must meet the carrier-to-noise ratio (CNR) and carrier-to-ingress power ratio values given in the DOCSIS specifications. The minimum value for both parameters is 25 dB in the 5 to 65 MHz frequency range.
- The intelligent and advanced spectrum management features do not support inter-line card shared spectrum groups. Spectrum management features require that upstream ports on different line cards (Cisco uBR-MC16U/X, Cisco uBR-MC28U/X, and Cisco uBR10-MC5X20S/U/H) have their own RF domain (a unique set of nonoverlapping frequencies).
- HCCP 1+1 redundancy is not supported on any cable interface line card that has defined spectrum groups, which typically is the normal configuration for advanced spectrum management.
- If you are using only one modulation profile and are using a software release prior to Cisco IOS Release 12.2(8)BC2, you need to change the CNR and forward error correction (FEC) threshold parameters from their default values to prevent undesired frequency hopping. This is because in these releases, a frequency hop would occur if just one of the measured values (CNR value, correctable FEC counter, or uncorrectable FEC counter) crosses the configured threshold value. Reducing the CNR threshold or increasing one of the FEC threshold values would limit the number of frequency hops.

This situation no longer occurs in Cisco IOS Release 12.2(8)BC2 and later releases, because a frequency hop can occur only when both the CNR value and one of the FEC counters falls below its threshold value.

Information About Spectrum Management

Spectrum management allows a Cisco Cable Modem Termination System (CMTS) to sense both downstream and upstream plant impairments, report them to a management entity, and automatically correct them where possible. The spectrum management feature performs these functions without reducing throughput or latency and without creating additional packet overhead on the radio frequency (RF) plant.

In particular, because the cable interfaces on the router receive upstream packets, it can directly detect upstream transmission errors. The router can also indirectly monitor the condition of the plant by keeping a record of modem state changes, such as the number and frequency of cable modems that are “flapping” (modems that either miss a station maintenance message or that go offline and then come back online).



Note

For more information about the cable modem flapping and how to monitor the cable modem flap list, see the chapter “[Flap List Troubleshooting for the Cisco CMTS](#)” in this guide.

Spectrum management can prevent long-term service interruptions caused by upstream noise events in the cable plant. It is also used for fault management and troubleshooting the cable network. When cable modems are detected to go online and offline by flap detectors, the cable operators can look at the flap list and spectrum tables to determine the possible causes.

Because of the nature of cable television (CATV) technology, upstream noise management is a significant issue. Frequency bands must have a sufficient carrier-to-noise ratio (CNR) and carrier-to-ingress power ratio to support the transmission of quadrature phase-shift keying (QPSK) and

quadrature amplitude modulation (QAM) data. The Data-over-Cable Service Interface Specifications (DOCSIS) sets the minimum value for both of these ratios to 25 dB in the 5 to 65-MHz frequency range. If the CNR drops below 25 dB on a particular channel due to noise, the cable modem on that channel degrades and can drop off the hybrid fiber-coaxial (HFC) network.

This overview contains the following subsections:

- [Spectrum Management Measurements, page 17-8](#)—Provides an overview of fundamental concepts and terms that are used in spectrum management.
- [Upstream Signal Channel Overview, page 17-11](#)—Describes how signals are sent and how changes occur in upstream channels.
- [Upstream Segments and Combiner Groups, page 17-12](#)—Describes sparse and dense segments and combiner groups.
- [Frequency Management Policy, page 17-13](#)—Describes the types of noise impairments and how to counteract ingress noise with spectrum groups and frequency hopping.
- [Guided and Scheduled Spectrum Management, page 17-15](#)—Describes the following guided and scheduled spectrum management features: traffic shaping, frequency hopping capabilities, dynamic upstream modulation (SNR-based), and input power levels.
- [Intelligent and Advanced Hardware-Based Spectrum Management, page 17-22](#)—Describes spectrum management features that are supported by a number of cable interface line cards that have onboard spectrum management hardware. These features include a real-time spectrum analyzer, CNR-based, proactive frequency hopping, and a more robust dynamic upstream modulation.
- [Benefits, page 17-24](#)—Describes the spectrum management features provided on the Cisco CMTS router platforms.

Spectrum Management Measurements

Measuring the signal-to-noise ratio (SNR) and carrier-to-noise ratio (CNR) are the major ways of determining the quality of a downstream or upstream signal. The following sections provide an overview of these two ratios, as well as explaining the differences between them, and some additional values that might be useful:

- [Signal and Carrier Noise Ratios, page 17-8](#)
- [Differences Between the SNR and CNR Values, page 17-9](#)
- [Additional Measurements, page 17-10](#)

Signal and Carrier Noise Ratios

Measuring the SNR and CNR of a downstream or upstream is the first step in determining the quality of the signal, and whether spectrum management needs to be performed to correct any errors. The following are brief descriptions of these two values:

- **Signal-to-Noise Ratio (SNR)**—An estimate of signal strength that is done on the upstream after ingress noise cancellation is performed. This means the SNR takes into account a variety of modulation impairments, including frequency response distortions (such as in-channel amplitude tilt and ripple), group delay, microreflections, and phase noise. The SNR is a good gauge of the overall end-to-end quality of the cable network, because it includes the impact that the transmitter circuitry, receiver circuitry, and transmission media have on the upstream signal.

**Note**

The SNR value was incorrectly calculated in early Cisco IOS software images, reporting a value that was 4 dB larger than expected. This defect (reported as caveat CSCdv78225) was corrected in Cisco IOS Release 12.1(10)EC1 and Cisco IOS Release 12.2(4)BC1, and later releases.

- Carrier-to-Noise Ratio (CNR)—A ratio of the measured modulated power, in dB, on the upstream (before ingress noise cancellation is done) that compares the channel power to the noise power. This measurement is usually provided only by an external spectrum analyzer, but the cable interface line cards that support intelligent and advanced hardware spectrum management features can provide two types of CNR measurement:
 - CNR measured for a particular upstream—An overall CNR for all of the cable modems on an upstream, as determined by measuring the RF power at the cable interface’s upstream receiver. This value is always just a snapshot in time for a particular upstream. The cable interface measures the RF power at a time when no bursts are expected from the cable modems, but it can be skewed by a small number of cable modems that are experiencing or creating signal problems.
 - Per-modem CNR—A CNR for a particular cable modem, as measured by the signal strength of the modem’s burst transmissions at the cable interface’s upstream receiver. The per-modem CNR measurement is a very accurate measure of a particular cable modem’s signal, but you should not use a single modem’s CNR to make assumptions about other cable modems on that upstream or about the upstream itself. However, you can get a good picture of the upstream’s signal quality by polling the CNR for a number of cable modems over a representative time period.

**Tip**

Changing the channel width has a direct impact on CNR. Doubling the channel width (for example, from 400 KHz to 800 KHz) decreases the CNR for an upstream by approximately 3 dB. Cutting the channel width in half (for example, from 3.2 MHz to 1.6 MHz) increases the CNR for an upstream by approximately 3 dB.

Differences Between the SNR and CNR Values

In a perfect network, such as a test lab where the only impairment is additive white Gaussian noise (AWGN), you can expect the CNR and SNR values to be comparable throughout all of the allowable power levels and frequency ranges. In a live network, however, it is expected that the SNR value should be a few dB lower than the CNR value, given that the SNR value takes into account noise impairments and distortions that are not accounted for by the CNR power measurements.

In general, when the CNR value is in the 15 to 25 dB range, you can expect the SNR value to have a comparable value. The difference between the SNR and CNR values is expected to be larger when the CNR value falls outside of the 15 to 25 dB range.

[Table 17-3](#) provides a comparison for the SNR and CNR values, listing the major reasons for why the SNR and CNR values might diverge on an active network that is passing live traffic:

Table 17-3 Comparison of SNR and CNR in a DOCSIS Cable Network

Signal-to-Noise (SNR)	Carrier-to-Noise (CNR)
Post-detection measurement of the RF signal.	Pre-detection measurement of the RF signal.
Measurement of the baseband domain.	Measurement of the RF frequency domain.

Table 17-3 Comparison of SNR and CNR in a DOCSIS Cable Network (continued)

Signal-to-Noise (SNR)	Carrier-to-Noise (CNR)
Includes the effect of signal distortions and impairments on the signal. These include: <ul style="list-style-type: none"> • Group delay in the channel such as occurs during operation near the diplexer band edge. • Channel amplitude variation and echoes. • Data collisions. • Microreflections. • Narrow band ingress in the channel. • Non-linearities in the cable plant. • Phase noise. • Poor selection of the preamble. • Poor symbol fidelity in a cable modem's transmissions, despite a good SNR value. • Unrecoverable carrier offsets. • Unrecoverable symbol timing offsets. 	Measures only the RF modulated carrier power versus noise power.
Provides an indication of overall, end-to-end network quality (what the transmitter, receiver, and transmission media are doing to the signal).	Provides an indication of network performance (what the transmission media or network is doing to the signal).
Average over time with current data traffic patterns, useful for tracking long-term trends in signal quality.	Real-time spectrum analysis.
Reflects the CNR value as part of its value.	Does not reflect the SNR value as part of its value.
Averaged over 10,000 symbols, and an accurate reading requires that short and long grants are being transferred.	Unaffected by the type of traffic being transmitted.
Does not use packets with uncorrectable FEC errors to determine its value. Bursts of uncorrectable errors, therefore, could result in a deceptively high SNR value.	Unaffected by uncorrectable FEC packet bursts.
DOCSIS specifications do not define any required SNR values for upstreams and downstreams.	Minimum downstream CNR of 35 dB in a 6-MHz band (44 dB in DOCSIS 2.0 for 8-MHz band) Minimum upstream CNR of 25 dB

Additional Measurements

In addition to SNR and CNR values, you should be aware of and monitor the following indicators of signal quality:

- Modulation Error Ratio (MER)—A measure of RF signal strength, in dB, which is similar to the SNR value for an upstream, in that it includes distortions and signal impairments such as phase noise and group delay. However, the MER is preferred for data networks, because it also includes additional factors that affect the signal, such as analog-to-digital and digital-to-analog conversions,

rounding errors, and phase jitter. For this reason, the DOCSIS 2.0 RF specification adds a requirement for the minimum MER value for a signal, supplementing the existing CNR minimum requirements.

A simple formula for calculating the MER value for an upstream is:

$$\text{MER} = 20 \times \log (\text{RMS error magnitude} / \text{Average symbol magnitude})$$

You can also calculate the Error Vector Modulation (EVM) to find the equivalent value expressed as a percentage of noise on an upstream:

$$\text{EVM} = \text{Average error magnitude} / \text{Max symbol magnitude} * 100$$

See the DOCSIS 2.0 specification for more complete information on calculating and using the MER value.

- **Forward Error Correction (FEC) Counters**—Counters that keep track of how many correctable and uncorrectable FEC errors occur on the upstream. The FEC error counters are useful for tracking fast transient errors such as impulse noise that are not usually reflected in SNR or CNR values.

A correctable error count of more than 1 percent can be used as a warning sign of possible physical plant or cable modem problems that might be developed. An uncorrectable error count of more than 1 percent can indicate an existing problem that is blocking traffic on the upstream. Cable interface line cards that support the intelligent and advanced spectrum management features can use the FEC counters as one of the indicators to be monitored to determine whether an upstream must change frequencies so as to correct noise problems.

- **Microreflections**—Additional copies of a signal that arrive at the receiver, usually at different times and attenuated by different amounts, causing the receiver to misidentify the incoming signal's true phase and amplitude. Microreflections typically are caused by impedance mismatches in the physical cable plant, and can indicate either equipment that has been degraded by weather or other causes, or equipment that has not been installed correctly.

Upstream Signal Channel Overview

The upstream channel is characterized by many cable modems transmitting to the CMTS. These signals operate in a burst mode of transmission. Time in the upstream channel is slotted. The CMTS provides time slots and controls the usage for each upstream interval. The CMTS periodically broadcasts Upstream Channel Descriptor (UCD) messages to all cable modems. The UCD message contains the upstream frequency and transmission parameters associated with an upstream channel. These messages define upstream channel characteristics including the upstream frequencies, symbol rates and modulation schemes, forward error correction (FEC) parameters, and other physical layer values.

Cisco supports all DOCSIS error-correction encoding and modulation types and formats. Upstream signals are demodulated using QPSK or QAM. QPSK carries information in the phase of the signal carrier, whereas QAM uses both phase and amplitude to carry information.

Sending data reliably in the upstream direction is an issue. Because upstream spectrum varies greatly between cable plants, select upstream parameters based on your cable plant's return paths. Select or customize upstream profiles for the maximum trade-off between bandwidth efficiency and upstream channel robustness. For example, QAM-16 requires approximately 7 dB higher CNR to achieve the same bit error rate as QPSK, but it transfers information at twice the rate of QPSK.



Note

The above specifications are based on predetermined sets of frequencies that may or may not have an adequate CNR at any given time.

Upstream frequencies can be assigned as follows:

- Fixed—Configuring a spectrum group disables the fixed upstream frequency setting.
- Single subband—The CMTS administrator can define a center frequency and symbol rate such that the boundaries of the upstream carrier stay within the subband. The frequency and symbol rate can change within the boundary in response to noisy line conditions, based on the defined upstream parameters.
- Multiple subbands—The data carrier can remain in a particular subband for a duration of time and then hop to another subband based on the defined upstream parameters.



Tip

Measurement of noise power levels with a spectrum analyzer should be part of the procedure in initially selecting and setting up frequency allocations. We recommend having fixed frequency settings during early deployment, at least until amplifier cascade adjustments or plant repair have become infrequent enough that they no longer significantly affect the nodes connected to the upstream port.

Upstream Frequency Changes

As stated in the DOCSIS radio frequency interface (RFI) specification, RF channel migration or upstream frequency change occurs when a change in the UCD message is broadcast to all cable interfaces.

The speed of channel migration via the UCD message is typically less than 20 milliseconds (ms). During this time, upstream transmission is interrupted until the cable interface transmitter adjusts to its new frequency. Data is stored in the cable interface buffers during this time and is sent when the frequency hop is complete.

Station maintenance intervals are used to perform per-modem keepalive polling. The CMTS polls each cable modem at least once every 30 seconds, with the default being once every 25 seconds. When ingress noise causes loss of keepalive messages from a configurable percentage of all cable interfaces, resulting in missed polls, a new frequency is selected from the allocation table and a UCD update is performed. The migration time is 2 msec for any upstream UCD update. After the UCD is updated, the hop occurs. The system must wait until a hop-threshold time interval has elapsed before it can change the UCD a second time.

Upstream Segments and Combiner Groups

The Cisco routers divide a cable plant into downstream channels. Downstream channels contain upstream segments. Each upstream segment typically serves more than one fiber node. Upstream segments can be defined as one of the following:

- Sparse segment—Containing one upstream channel per upstream segment.
- Dense segment—Containing multiple upstream channels per upstream segment; frequencies must be different.



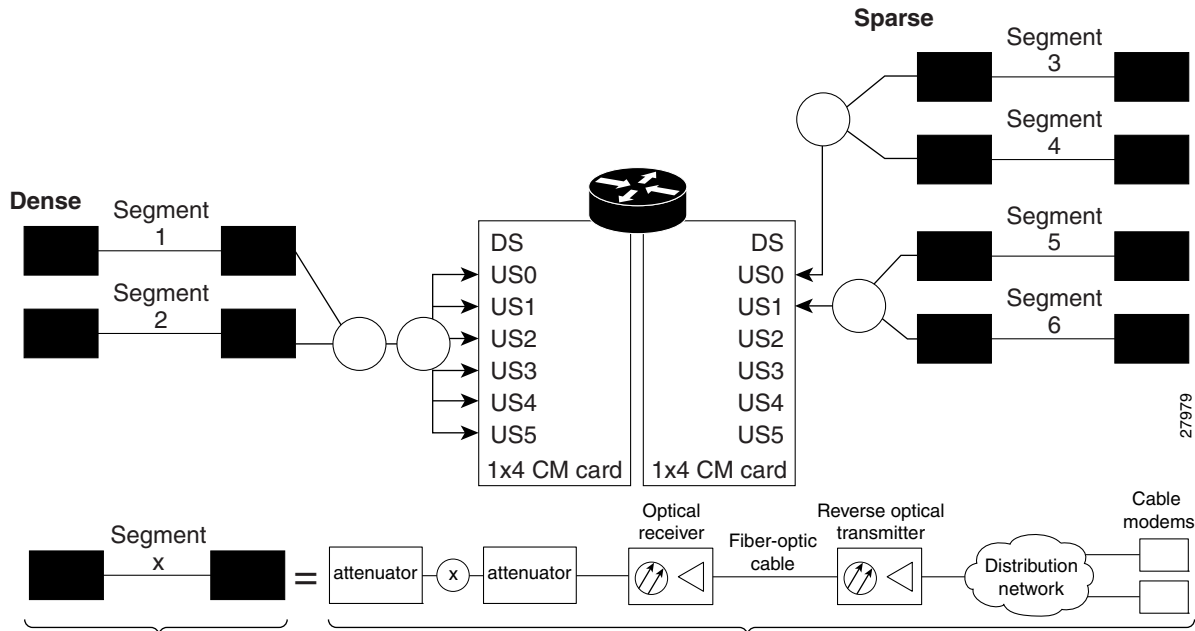
Note

A cable interface line card can support sparse or dense segments, or both.

Defining sparse segments allows the cable operator to share upstream bandwidth among fiber nodes with fewer subscribers. Defining dense segments allows the cable operator to provide larger upstream bandwidth to fiber nodes with many subscribers.

Figure 17-1 illustrates sparse versus dense segments.

Figure 17-1 Sparse Versus Dense Segment Illustrations



As shown in Figure 17-1, the downstream segment can contain multiple upstream segments. Two fiber nodes can be in one downstream segment but in different upstream segments.

The return path of several fiber nodes can be combined at a single point to form a single RF frequency domain called a *combiner group*. The CMTS software allows a frequency hop table called a *spectrum group* to be associated with a combiner group.



Note

A combiner group refers to an RF topology point. A spectrum group refers to the frequency hop table associated with a combiner group.

Frequency Management Policy

Spectrum management applies a common frequency-management policy to a set of upstream ports to ensure that data is delivered reliably over the cable plant. Cable plant operators must make noise measurements and determine the cable plant's spectrum management policy. Different modulation schemes, upstream frequency techniques, and symbol rates are used based on the cable plant characteristics and the cable interface line card in the chassis.

See the following sections for more information about these topics:

- [Noise Impairments, page 17-14](#)
- [Spectrum Groups and Frequency Hopping, page 17-14](#)
- [Guidelines for Spectrum Management, page 17-15](#)

Noise Impairments

Upstream noise impairments such as signal degradation on cable networks can negatively affect service to subscribers. Two-way digital data signals are more susceptible than one-way signals to stresses in the condition of the HFC network. Degradation in video signal quality might not be noticeable in one-way cable TV service, but when two-way digital signals share the network with video signals, digital signals can be hampered by:

- Impulse and electrical signal ingress—Noise can enter the network from electrical sources within a residence or from high-voltage lines that run near cable television cabling. Two types of ingress noise include broadband and narrowband. Broadband noise is generally of lower frequency (below 10 MHz) and results in harmonic rolloff. Narrowband noise is a more significant interference source. Cable equipment and infrastructure often pick up noise from amateur radio transmissions, citizen band radios, or high-power shortwave broadcast signals. Implement a signal leakage maintenance program to locate and repair areas of signal ingress.
- Amplifier noise—Amplifiers add noise to the HFC network that typically goes unnoticed in video signals, but degrades digital data signals if amplifiers are improperly configured. The larger the network, the higher the probability of amplifier noise affecting signals.
- Noise funneling—The upstream data path to the headend is susceptible to interference from the entire network. All upstream noise ultimately ends up at the headend because the cumulative nature of noise becomes concentrated at the headend. As a network serviced by a single RF receiver increases in size, the probability of noise funneling also increases.
- Variable transmit levels—Temperature affects signal loss over coaxial cable. This can cause variations of 6 to 10 dB per year.
- Clipping—The lasers in fiber-optic transmitters can stop transmitting light when input levels are excessive. Excessive input levels introduce bit errors in both the upstream and downstream transmissions. If a laser is overdriven as briefly as a fraction of a second, clipping can occur.

To adjust your return amplifiers and lasers, follow rigorous plant maintenance procedures documented in the *NTSC Supplement on Upstream Transport Issues* or appropriate cable plant standard.

Spectrum Groups and Frequency Hopping

We recommend that CMTS administrators configure upstream frequency hopping to counteract long-term, narrowband noise. Cisco CMTS routers support a combination of guided frequency hopping and time-scheduled frequency hopping.

The frequency hop to proactively avoid noise ingress is sometimes called *frequency agility*. Frequency agility is configured and activated using spectrum groups. Spectrum management supports the creation of a number of cable spectrum groups, allowing multiple upstream ports in a single spectrum group. Each spectrum group defines the table of frequencies to be used in a specific frequency plan. Upstream frequencies can be a fixed single frequency, a single continuous range of frequencies (band), or multiple ranges (or bands) of frequencies.

The cable interface does not operate until you assign a frequency to the upstream, which can be done either by configuring and assigning a spectrum group or assigning a fixed frequency. The spectrum group takes precedence, so if you configure both a spectrum group and a fixed frequency on an upstream, the spectrum group overrides the fixed upstream frequency setting.

From the interface point of view, a spectrum group also represents the set of upstreams connected to the same group of fiber nodes. The spectrum manager software in Cisco routers examines all the RF parameters that have been configured on an upstream to determine whether the upstream frequencies

need to be managed together. For example, if you configure a spectrum group with several fixed frequencies, but those frequencies are all within the configured channel width, the spectrum manager software combines the frequencies into a single band.

The upstream ports use the spectrum group to determine which frequencies are available if frequency hopping is needed to deal with noise or other path impairments. The types of frequency hopping techniques are guided, time-scheduled, and combined guided and time-scheduled. See the “[Frequency Hopping Capabilities](#)” section on page 17-17 for more information on the types of frequency hopping techniques.

**Note**

When each upstream port has its own RF domain, the group is called a *nonshared spectrum group*. When multiple upstream ports share the same RF domain, the group is called a *shared spectrum group*.

Guidelines for Spectrum Management

In general, when defining your spectrum, use the following guidelines:

- Avoid frequencies with known ingress problems, such as amateur radio bands or short-wave bands.
- Avoid a hostile spectrum below 20 MHz.
- Allow extra bands for frequency hopping.
- Take the possible channel widths into account when creating frequency bands. The range of frequencies being used must be able to hop between at least two different frequencies when using the channel width that is configured on the upstream.
- Place upstream ports in the same combiner group in a shared spectrum group.
- Use the receive power level setting to perform slight equalization adjustments.
- If you combine multiple upstream ports to provide increased bandwidth, you must avoid overlapping frequency bands. Each port should be using a discrete band of frequencies that does not overlap the bands being used by other ports in the group. We recommend adding at least 20 KHz between the ending frequency of one band and the starting frequency of the next band, to ensure that the bands do not overlap.

Guided and Scheduled Spectrum Management

Guided and scheduled spectrum management constitutes a set of basic features for all currently supported cable interface line cards. These features are considered basic because they are available for all cable interfaces, and constitute the elementary, cornerstone features upon which the intelligent and advanced spectrum management features are built.

See the following sections for more information about each feature:

- [Traffic Shaping, page 17-16](#)
- [Frequency Hopping Capabilities, page 17-17](#)
- [Dynamic Upstream Modulation \(SNR-Based\), page 17-19](#)
- [Input Power Levels, page 17-21](#)

Traffic Shaping

Traffic shaping basically uses queues to limit data surges that can congest a network. The data is buffered and then sent into the network in regulated amounts to ensure that the traffic fits within the expected traffic envelope for the particular connection.

Traffic shaping reduces the chance that information must be retransmitted to hosts on the cable plant. When cable modems (CMs) have rate limits established, the CMTS typically drops data packets to enforce the rate limit. Dropping packets from the requesting CM causes the host sending the information to retransmit its information, which wastes bandwidth on the network. If both hosts sending and requesting information are on the cable plant, the upstream bandwidth is wasted as well.

Traffic shaping allows the CMTS to perform upstream and downstream rate limiting on the DOCSIS upstream and downstream channels. Rate limiting restricts the data rate to and from a CM; the MAC scheduler supports traffic-shaping capabilities for downstream and upstream traffic. Rate limiting ensures that no single CM consumes all of the channel bandwidth and allows a CMTS administrator to configure different maximum data rates for different subscribers. Subscribers requiring higher peak rates and willing to pay for higher rates can be configured with higher peak rate limits in their CM DOCSIS configuration file over regular subscribers, who pay less and get lower rate limits.

Each time a packet belonging to a flow is transmitted on an output channel, the token-bucket policer function checks the rate limit status of the flow, passing the following parameters:

- Token bucket peak rate in bits per millisecond.
- Token bucket depth (maximum transmit burst) in bits.
- Length of current packet to be sent in bits.
- Pointer to the flow's token bucket.
- Pointer to the flow's token bucket last update time stamp.
- Variable to return the milliseconds buffering delay in case the packet needs to be shaped.
- Maximum buffering delay that the subsequent traffic shaper can handle in milliseconds.

Every flow has its own shaping buffer where rate-exceeded packets are typically held back in first-in/first-out (FIFO) order for later transmission.



Tip

Token bucket policing with shaping is the per-upstream default rate limiting setting at the CMTS. Shaping can be enabled or disabled for the token-bucket algorithm.

Upstream Traffic Shaping

Upstream traffic shaping allows the CMTS to perform rate limiting on a DOCSIS upstream channel. The upstream traffic shaping feature delays the scheduling of the upstream packet, which in turn, causes the packet to be buffered on the cable modem device, instead of being dropped. This allows the user TCP/IP stack to pace the application traffic appropriately and approach throughput commensurate with the subscriber's defined quality of service (QoS) levels. Upstream traffic shaping enables the CMTS to enforce the peak upstream rate for each CM without degrading overall TCP performance for the subscriber CMs.

When you do not enable the shaping option for upstream rate limiting, the CMTS upstream-rate-policing code drops bandwidth requests from cable modems that are found to have exceeded their configured-peak-upstream rate (using different local drop policies). The effect of bandwidth requests (eventually upstream packets) being dropped causes degraded throughput performance of window-based protocols (like TCP) for these rate-exceeded modems because of the timeouts and retransmits that follow.

Upstream grant shaping is on a per-CM (service identifier-SID) basis. The grant shaping feature is a configurable option for the current upstream token-bucket rate-limiting algorithm.

A traffic shaping feature is restricted QoS class assignment, which allows a CMTS administrator to override the class of service provisioned for a CM. When this feature is enabled, the user-defined QoS profile is enforced on the CM attempting to register with the CMTS, regardless of the CM's provisioned class of service. Use the **cable qos profile** command to configure a QoS profile.

**Note**

The restricted QoS class assignment feature is added to address instances where a cable operator implemented rate limiting incorrectly. The feature allows an administrator to override the statically provisioned QoS parameters of the CM and force the CM to use a specific QoS profile defined at the CMTS.

For configuration task information on upstream traffic shaping, refer to the [“Enabling Upstream Rate Limiting” section on page 17-26](#).

Downstream Traffic Shaping

The CMTS supports basic downstream traffic shaping by effecting data rate limiting on a per-modem basis. A downstream traffic shaping feature called downstream rate limiting with type of service (ToS) bits extends that capability by allowing the CMTS administrator to configure the ToS byte to calculate the data rate for a specified flow.

Downstream rate limiting with ToS bits enables you to partition downstream traffic for a CM into multiple classes of service and multiple data rates by using the three precedence bits in the ToS byte in the IP header to specify a class of service assignment for each packet. Those packets with the precedence bit set in the ToS field are given higher priority. Using the ToS byte, you can calculate the data rate for a specified flow, in addition to the data rate configured on a per-CM basis. By specifying a maximum data rate for a particular ToS, you can override the common maximum downstream data rate.

The administrator can override the maximum common downstream data rate limits by configuring the ToS byte.

**Note**

Packets that contain ToS bytes that have not been configured for downstream data rates continue to use the common data rate limits.

Frequency Hopping Capabilities

Noise in the upstream transmission line, that is from the consumer to the service provider, can degrade data transmission from the subscriber's home. If the noise impairment is of substantial duration, it may cause the cable modem to temporarily lose communication with the headend facility. As a contingency plan, the multiple service operators (MSOs) can reserve multiple channels or upstream frequencies for their subscribers. If one channel suffers too much interference, the CMTS requests that the cable modems “hop” to another channel.

To provide frequency hopping capability, Cisco CMTS routers contain a spectrum manager that continuously monitors the noise in unused upstream channels. If the CNR reaches an unacceptable level on a particular channel, the spectrum manager automatically assigns a new upstream channel to the cable modem using that channel.

Cisco CMTS routers support the following techniques for upstream frequency hopping when the frequency band in use is not clean:

- Guided frequency hopping—In guided frequency hopping (also known as *blind hopping*), the spectrum manager automatically assigns a new upstream channel frequency when a configurable threshold of station maintenance (keepalive) messages fails. Failed station maintenance messages represent an impairment of the upstream channel due to noise, plant, or equipment failure. Explicit frequency subbands and associated input power levels are assigned in a spectrum group in guided frequency hopping.
- Time-scheduled frequency hopping—Frequency reassignment is scheduled by the time of day or by a specific day of the week.
- Combined guided and time-scheduled frequency hopping.

**Note**

Frequency hopping is not effective against broadband noise phenomena such as impulse noise.

Time-scheduled and guided hopping techniques are independent concepts:

- The spectrum is controlled by a script, not a frequency table.
- The available spectrum is time-scheduled as an option.
- A guided hopping frequency is selected from the available spectrum at the current time.

You can configure and activate frequency hopping by using spectrum groups. You can create up to 40 cable spectrum groups, each containing multiple upstream ports. The configured channel width is used for each upstream frequency.

After you have created one or more spectrum groups for your cable network, you can add characteristics to them, providing you with more definitive control over frequency usage and frequency hopping.

You can configure hopping thresholds. For example, the frequency hop threshold percentage method prevents a single failing cable modem from affecting service to other working cable modems. As long as a high enough threshold is configured, the system does not hop endlessly due to a single cable modem failing to respond to 90 percent of its station maintenance (keepalive) messages.

You can also configure the minimum period between frequency hops, with a default setting of 300 seconds. If the destination channel is expected to be impaired, you can reduce the minimum period between frequency hops to a small value, such as 10 seconds. This allows the frequency hop to continue more rapidly until a clear channel is found. If excessive frequency hop is an issue, you can increase the minimum period between hops.

To configure different techniques of frequency hopping, see the [“Creating and Configuring Spectrum Groups”](#) section on page 17-29.

**Note**

Spectrum management is not supported for one-way (telco return) cable modems, because spectrum management capabilities focus on the upstream path over an HFC network.

Guided Frequency Hopping

Guided frequency hopping is called “guided” because the frequency hopping uses the frequencies that are specified in the spectrum group, which can be either a set of discrete frequencies or a band. The cable interface line cards that support guided frequency hopping do not have a “look-ahead” mechanism that would allow them to determine the quality of the new frequency or band ahead of time, which is why

previous documents referred to this as blind hopping. Because of this, though, the cable interface does not need to perform any search on the new potential frequencies, so the switching time between frequencies is only approximately 20 milliseconds.

You can specify some rules the system uses when hopping to another frequency when the frequency band in use is not clean. You can assign explicit frequency subbands and associated input power levels in a spectrum group. All cable modems then on the upstream port migrate to the next frequency with an assigned input power level. The number of lost station management messages exceeding a configured threshold can initiate an upstream channel frequency reassignment. For example, you can specify a frequency hop based on lost station management messages that exceed a threshold. The default threshold may be 10 to 20 percent depending on the Cisco IOS release. The frequency change occurs rapidly without data loss and with minimal latency.

Take care to reduce the spectrum allocation when it is used with small channel widths. Otherwise, there will be a large number of upstream channel slots. For example, if the allocation is from 20.0 to 28.0 MHz and an upstream port has its channel width set to 0.2 MHz, there are 40 possible slots for that channel width. Guided frequency hopping can require a long time to find the clean slot, because it tries each available slot, one at a time, for several seconds during each try.

Time-Scheduled Frequency Hopping

You can specify upstream channel frequency reassignment based on a configured time of every day or of a specific day of the week. If your cable plant has an upstream noise characteristic on a weekly cycle, use time-scheduled spectrum allocation. With a time-scheduled policy, a single frequency becomes valid at any given time.

Dynamic Upstream Modulation (SNR-Based)

The basic Dynamic Upstream Modulation feature is supported on all Cisco cable interface line cards beginning with Cisco IOS Release 12.1(3a)EC1, Cisco IOS Release 12.2(4)BC1b, and later releases. This section describes the operation of this feature, which is based on evaluating the signal-to-noise ratio (SNR) of an upstream.



Note

A more advanced version of Dynamic Upstream Modulation, which uses the carrier-to-noise ratio (CNR), is supported on the cards that support intelligent and advanced spectrum management (such as the Cisco uBR-MC16U/X, Cisco uBR-MC28U/X, and Cisco uBR10-MC5X20S/U/H). See the [“Intelligent and Advanced Hardware-Based Spectrum Management”](#) section on page 17-22 for more information on that version of this feature.

Feature Overview

Cisco cable interface line cards monitor the SNR values and the forward error correction (FEC) counters in the active return path of each upstream port. The Dynamic Upstream Modulation feature determines whether upstream channel signal quality can support the modulation scheme configured, and adjusts to the most robust modulation scheme when necessary. When return path conditions improve, this feature returns the upstream channel to the higher modulation scheme that includes the modulation profile.

A modulation profile is a collection of six burst profiles that are sent out in a UCD message to configure modem transmit parameters for the upstream message types: request, request/data, initial maintenance, station maintenance, short grant, and long grant. Dynamic Upstream Modulation adjusts the modulation profiles of an upstream channel based on upstream signal quality.

Dynamic Upstream Modulation can be configured on interfaces with fixed upstream frequencies or on interfaces with assigned spectrum groups. For information on commands to configure Dynamic Upstream Modulation, see the “[Configuring Dynamic Upstream Modulation \(SNR-Based\)](#)” section on page 17-35.

The following examples show two different configurations of the Dynamic Upstream Modulation feature, using two and three modulation profiles.

Example Showing Dynamic Upstream Modulation Using Two Modulation Profiles

You can configure the Dynamic Upstream Modulation feature on the Cisco CMTS router using the following primary and secondary modulation profiles:

- The primary modulation profile uses 64-QAM or 16-QAM, which is a more bandwidth-efficient modulation scheme and has a higher throughput than a QPSK profile.
- The secondary modulation profile uses QPSK, which uses a more robust modulation scheme, but at the cost of not being as bandwidth-efficient.

We recommend that the primary profile use 64-QAM or QAM-16 modulation and the secondary use QPSK, but this is optional. Both modulation profiles can be either QPSK or QAM. It is not mandatory that one is QAM and the other QPSK, but modulation profile switchover is tied to the QAM and QPSK thresholds.

Example Showing Dynamic Upstream Modulation Using Three Modulation Profiles

You can configure the Dynamic Upstream Modulation feature on the Cisco CMTS router using the following primary, secondary, and tertiary modulation profiles:

- The primary modulation profile uses 64-QAM, which is a more bandwidth-efficient modulation scheme and has a higher throughput than a 16-QAM profile.
- The secondary modulation profile uses 16-QAM, which is a more bandwidth-efficient modulation scheme and has a higher throughput than a QPSK profile.
- The tertiary modulation profile uses QPSK, which uses a more robust modulation scheme, but at the cost of not being as bandwidth-efficient.

We recommend that the primary profile use 64-QAM modulation, the secondary profile use 16-QAM, and the tertiary profile uses QPSK, but this is optional. The modulation profiles can be either QPSK or QAM. It is not mandatory that one is QPSK and the other two are QAM, but modulation profile switchover is tied to the QAM and QPSK thresholds.



Tip

Cisco IOS Release 12.2(15)BC2 introduced a series of robust predefined modulation profiles that can also be used with the Dynamic Upstream Modulation feature. See the description of the **modulation-profile** command in the *Cisco IOS CMTS Command Reference* for more information.

Criteria for Switching Modulation Profiles

The Dynamic Upstream Modulation feature uses the following criteria to determine whether it should switch from the primary modulation profile (the more bandwidth-efficient, but less robust profile) to the other modulation profiles (more robust, but less bandwidth-efficient profile):

The modulation switch from the primary profile (high performance) to the secondary profile (mid-level performance) uses the following criteria:

- The upstream SNR is less than SNR threshold one *and* the percentage of correctable FEC (cFEC) errors is greater than or equal to the correctable FEC error threshold *or* the percentage of uncorrectable FEC (uFEC) errors is greater than or equal to the uncorrectable FEC error threshold.

Before switching back to the primary profile from the secondary profile, the following criteria must be satisfied:

- The upstream SNR is greater than or equal to the sum of SNR threshold one and the hysteresis value *and* the percentage of correctable FEC errors is less than or equal to the correctable FEC error threshold *and* the percentage of uncorrectable FEC errors is less than or equal to the uncorrectable FEC error threshold.

The modulation switch from the secondary profile (mid-level performance) to the tertiary profile (most robust) uses the following criteria:

- The upstream SNR is less than SNR threshold two *and* the percentage of correctable FEC (cFEC) errors is greater than or equal to the correctable FEC error threshold *or* the percentage of uncorrectable FEC (uFEC) errors is greater than or equal to the uncorrectable FEC error threshold.

Before switching back to the secondary profile from the tertiary profile, the following criteria must be satisfied:

- The upstream SNR is greater than or equal to the sum of SNR threshold two and the hysteresis value *and* the percentage of correctable FEC errors is less than or equal to the correctable FEC error threshold *and* the percentage of uncorrectable FEC errors is less than or equal to the uncorrectable FEC error threshold.

The modulation switch from the primary profile to the tertiary profile uses the following criteria:

- The upstream SNR is less than SNR threshold two *and* the percentage of correctable FEC (cFEC) errors is greater than or equal to the correctable FEC error threshold *or* the percentage of uncorrectable FEC (uFEC) errors is greater than or equal to the uncorrectable FEC error threshold.

If the only problem is that the upstream is experiencing a large number of uncorrectable errors, then a situation could occur where the router continues to switch back and forth between profiles. The uncorrectable errors occur with the primary profile, so the router switches to the secondary profile. The secondary profile does not experience any problems, so the router switches back to the primary profile. But the uncorrectable errors reoccur and the router switches back to the secondary profile, and this cycle continues indefinitely.

To avoid this problem, make sure that the cable plant is capable of supporting the modulation scheme being used in the primary profile (for example, 64-QAM). If you cannot guarantee successful operation on an upstream using this modulation scheme, then you should select a primary profile that uses a more bandwidth-efficient set of burst parameters (such as QPSK). The Cisco IOS software includes predefined modulation profiles that can be used for the primary, secondary, and tertiary profiles.

Input Power Levels

Upstream input power level modifications were made in Cisco IOS Releases 12.0(6)SC, 12.1(1), 12.1(1)T, 12.1(2)EC1, and 12.2(4)BC1b. The input power level, *power-level-dBmV*, is an option in the **cable spectrum-group** command. The option allows you to specify the expected upstream input power levels on the upstream receivers on the CMTS when the cable modems are hopping from one fixed frequency to another or from one band to another. Each upstream frequency has an associated upstream input power level in dBmV. The power level is the modem transmit power that each spectrum group can use when an upstream frequency change is necessary. The input power level may be set at the time of the frequency hop.

Specifying an input power level is done so that the cable modems do not have to increase or decrease their transmit power with every hop. The cable operator can perform minor power equalizations as a function of frequency. The valid range is -10 to 10dBmV. The power level value should be changed only if you want to change the power level as part of spectrum management. Some cable plants may want to change only the input power level, and not the frequency, on a daily time schedule.

For information on how to configure input power levels, see the “Configuring and Assigning Spectrum Groups” section on page 17-41.

Intelligent and Advanced Hardware-Based Spectrum Management

Several cable interface line cards include hardware-based spectrum management features that provide enhancements to the basic features supported by the other Cisco cable interface line cards. (See [Table 17-2](#) for a list of supported cable interface line cards and required Cisco IOS releases.)

Intelligent Spectrum Management Enhancements

The following features are part of the intelligent spectrum management feature set:

- Integrates a DOCSIS cable interface line card with an onboard spectrum analyzer that continuously analyzes the upstream spectrum quality in the DOCSIS frequency range of 5 to 42 MHz.
- Includes hardware-assisted frequency hopping, providing for more intelligent and faster frequency selection than software-only solutions.
- Reduces the response time to ingress noise that could cause modems to drop offline.
- Eliminates blind frequency hopping by initiating frequency hops to known clean channels.
- Improves frequency agility to help eliminate dropped packets and thereby maintain full upstream data rates.
- Supports frequency agility in dense-mode combining environments across a shared spectrum.
- Restricts frequency hopping to a set of discrete fixed frequencies or to a range of frequencies, as desired.
- Allows frequency hop conditions to be customized for specific plant environments and requirements.
- Optionally schedules frequency hops to take advantage of known usage patterns or plant conditions.
- Optionally dynamically reduces channel width to allow cable modems to remain online, even in noisy upstream conditions.

Advanced Spectrum Management Support Using the Cisco uBR10-MC5X20S/U/H BPE

The advanced spectrum management features were introduced on the Cisco uBR10-MC5X20S/U/H BPE as a software-only upgrade. These enhancements are supported on additional line cards on the Cisco IOS Releases that are shown in [Table 17-2](#).

The following additional features are part of the advanced spectrum management feature set:

- Supports proactive channel management, to avoid the impacts of ingress and keep subscribers online and connected.
- Offers flexible configuration choices, allowing users to determine the priority of the actions to be taken when ingress noise on the upstream exceeds the allowable thresholds. The configurable actions are frequency hopping, switching the modulation profile, and reducing the channel width.
- Performs carrier-noise ratio (CNR) calculations in real time on a per-interface and a per-modem basis.



Note In Cisco IOS Release 12.3(13a)BC and later Cisco IOS 12.3 BC releases, the CNR value is before the Ingress Noise Cancellation, while the SNR value is after the Ingress Noise Cancellation. For this reason, the CNR and SNR values might not exactly match for any particular period.

- The advanced spectrum management feature intelligently determines when to modify the frequency, channel width, or modulation profile, based on CNR and SNR calculations in the active channel and the number of correctable FEC errors and uncorrectable FEC errors. Frequency hopping, channel width change, or profile change occurs in the following circumstances:
 - The CNR value *and* the SNR value falls below the user-defined threshold value for the primary modulation profile *and* the correctable FEC error value *or* the uncorrectable FEC error exceeds its user-defined threshold.

This logic can be expressed as the following formula:

```
[(CNR <= threshold) AND (SNR <= threshold)] AND
[(correctable FEC >= threshold) OR (uncorrectable FEC >= threshold)]
```

This approach helps avoid unneeded channel changes due to transient noise problems that do not actually cause any errors in the data stream. The channel changes only when noise both affects the CNR and SNR of the upstream and generates an unacceptable number of FEC errors in the data. If you want channel changes to occur only in response to the CNR, you can set the SNR threshold and the FEC error threshold values to zero.

Separate CNR threshold values are configured for the primary and secondary modulation profiles. When the upstream has moved to the secondary modulation profile, further frequency hopping or channel width changes occur only when the CNR value and the SNR value falls below the user-defined threshold value for the secondary profile.



Note Previously, channel hopping occurred when the number of missed station maintenance polls exceeded a user-defined threshold or the SNR exceeded a certain threshold.

- Enhances the Dynamic Upstream Modulation feature for the Cisco uBR-MC5X20S/U BPE. This feature supports dynamic modulation using two upstream profiles. The primary profile (typically using QAM-16 “mix” modulation) remains in effect at low noise conditions, but if upstream conditions worsen, the cable modems switch to the secondary profile (typically using QPSK modulation) to avoid going offline. When the noise conditions improve, the modems are moved back to the primary profile.
- When using a Cisco uBR-MC5X20S/U BPE on a Cisco CMTS router running Cisco IOS Release 12.3(13a)BC and later Cisco IOS 12.3 BC releases, the spectrum management hardware uses the real-time CNR readings from the Digital Signal Processor (DSP) onboard the Cisco uBR-MC5X20S/U BPE, and the signal-to-noise ratio (SNR) values from the TI4522 chip, to determine the signal quality of the upstream channel.
- Provides an SNMP interface so that a network management workstation or other graphical tool can obtain spectrum information for either a particular cable modem or for an entire upstream. The frequency resolution can be as fine as 10 KHz.



Note The CISCO-CABLE-SPECTRUM MIB has been enhanced to provide this support.

Benefits

The spectrum management features provided on the Cisco CMTS router platforms provide several key system benefits:

- Improves response time to ingress noise impairments that appear in the upstream return path.
- Boosts the percentage of modems online.
- Mitigates the impact of ingress to subscriber services.
- Saves time and effort by MSO staff when troubleshooting minor plant outages.
- Increases cable plant reliability.
- Maximizes spectrum utilization.

Guided and Scheduled Spectrum Management Benefits

The following summarizes the specific benefits of the guided and scheduled spectrum management features that are supported for all Cisco CMTS router platforms.

Upstream Traffic Shaping

The CMTS can buffer the grants for rate-exceeded modems. This grant buffering at the CMTS avoids TCP-related timeouts and retransmits, resulting in an improved TCP throughput performance for the rate-exceeded modems. Thus, traffic shaping enables the CMTS to enforce the peak upstream rate for the modem without degrading overall TCP performance for the modem.

Downstream Traffic Shaping

Allows users to configure multiple data rates (defined by the value of the IP precedence bits in the ToS byte) for a given modem. By specifying a maximum data rate for a particular ToS, users can override the common maximum downstream data rate.

Input Power Levels

Allows the cable plant operator to perform minor power level equalization as a function of frequency.

Frequency Hopping Capabilities

Proactively countermeasures upstream noise impairments by assigning a new upstream channel to the cable modem. MSOs can take advantage of this feature especially when they have less than an optimal carrier-to-noise ratio in the upstream frequencies or when their cable plants exhibit random bursts of ingress noise that affect reliability.

Dynamic Upstream Modulation

- Reduces the risk associated with transitioning to QAM-16 modulation in the return path and provides assurance that subscribers remain online and connected during return path impairments.
- Checks that the active upstream signal quality can support the configured modulation scheme and proactively adjusts to the more robust modulation scheme when necessary.
- Eliminates the necessity to hop channels for cable modems to stay online by automatically switching from the primary modulation profile to the secondary modulation profile.

Intelligent and Advanced Spectrum Management Benefits

The following summarizes the specific benefits of the advanced spectrum management features that are supported on Cisco CMTS routers using supported cable interface line cards.

Dynamic Channel Width Change

- Improves the DOCSIS upstream channel availability by finding the maximum possible channel width for an upstream when noise conditions make the current channel width unusable.
- Provides the maximum RF spectrum utilization efficiency for current plant conditions.
- Customizable range of channel widths that can be used to respond to noise problems.

Intelligent Frequency Hopping

- Proactively changes upstream frequency for an interface before noise conditions become severe enough to force cable modems offline.
- Dedicated hardware intelligent frequency hopping performs “look-ahead” to choose new upstream frequency to find a stable channel.
- Flexible priority configuration allows hopping decision criteria to be tailored to the individual cable plant environment.
- Improves responsiveness to ingress impairments, by matching the hopping decision criteria to the fluctuating plant conditions.
- Pinpoints CNR variations with per-modem accuracy to isolate problematic cable modems.
- Sustains or even improves subscriber online percentages through user-programmable proactive channel management techniques.

Dynamic Upstream Modulation

- Reduces the risk associated with switching between QPSK and QAM-16 modulation in the upstream to respond to ingress noise, so that subscribers remain online and connected.
- Checks the current upstream signal to ensure that it can support the configured modulation scheme, and proactively adjusts to the secondary more robust modulation scheme when necessary.
- Improves DOCSIS upstream channel availability and provides maximum RF spectrum utilization efficiency.
- Eliminates unnecessary frequency hopping by switching modulation profiles to one that allows cable modems to remain online while using the currently assigned upstream.
- Provides assurance that subscribers remain online and connected during periods of return path impairments.

SNMP Interface

- Provides a way to remotely obtain the current status of noise on an upstream. This information can then be inserted into third-party or custom reporting and graphing applications.
- Provides visibility to ingress and impulse noise under the carrier frequency on a per-port basis.
- Provides an easy-to-use, distributed method to remotely gather real-time display of the DOCSIS upstream spectrum for individual cable modems and set-top boxes (STBs).
- Reduces the reliance on costly spectrum analyzers at every headend or hub.
- Quickly provides spectrum views through an intuitive interface, without the complicated setup time of a spectrum analyzer.

- Allows the technician to troubleshoot the network remotely, as opposed to having to be physically present to connect and use a spectrum analyzer.

How to Configure Spectrum Management

This section describes the configuration tasks that are most commonly performed when using the spectrum management features on the Cisco CMTS platforms. See the following sections for the configuration tasks that are appropriate for your platform and cable interface line cards.

- [Guided and Scheduled Spectrum Management Configuration Tasks, page 17-26](#)
- [Intelligent and Advanced Spectrum Management Configuration Tasks, page 17-41](#)

Guided and Scheduled Spectrum Management Configuration Tasks

The following tasks configure the guided and scheduled spectrum management features that are supported on all Cisco CMTS platforms:

- [Enabling Upstream Rate Limiting, page 17-26](#)
- [Enabling Downstream Rate Limiting, page 17-28](#)
- [Creating and Configuring Spectrum Groups, page 17-29](#)
- [Assigning a Spectrum Group to One or More Upstream Ports, page 17-33](#)
- [Configuring Shared Spectrum Groups \(Fiber Node Groups\) for DOCSIS 3.0, page 17-34](#)
- [Configuring Dynamic Upstream Modulation \(SNR-Based\), page 17-35](#)
- [Verifying Frequency Hopping, page 17-39](#)

Enabling Upstream Rate Limiting

Upstream rate limiting allows upstream bandwidth requests from rate-exceeding cable modems to be buffered without incurring TCP-related timeouts and retransmits. This enables the CMTS to enforce the peak upstream rate for each cable modem without degrading overall TCP performance for the subscriber customer premises equipment (CPE) devices. Upstream grant shaping is per SID.

By default, all upstreams are configured for rate limiting that uses the token-bucket policing algorithm with traffic shaping, which enforces strict DOCSIS-compliant rate limiting. If you have previously disabled or reconfigured rate limiting on an upstream, use the following procedure to re-enable rate limiting on that upstream.

SUMMARY STEPS

1. **enable**
2. **configure terminal**
3. **interface cable** *x/y*
or
interface cable *x/y/z*
4. **[no] cable upstream** *usport* **rate-limit** [**token-bucket** [**shaping**]]
5. **end**

DETAILED STEPS

	Command or Action	Purpose
Step 1	<p>enable</p> <p>Example: Router> enable</p>	Enables privileged EXEC mode. Enter your password if prompted.
Step 2	<p>configure terminal</p> <p>Example: Router# configure terminal</p>	Enters global configuration mode.
Step 3	<p>interface cable x/y or interface cable x/y/z</p> <p>Example: Router(config)# interface cable 5/1</p>	Enters interface configuration mode for the specified cable interface.
Step 4	<p>[no] cable upstream usport rate-limit [token-bucket [shaping]]</p> <p>Example: Router(config-if)# cable upstream 0 rate-limit</p>	<p>Enables rate limiting for the specified upstream port.</p> <ul style="list-style-type: none"> • usport—Specifies the upstream port number. Valid values start with 0 for the first upstream port on the cable interface line card. • token-bucket—(Optional) Enables rate limiting for the upstream port using the token-bucket policing algorithm, so that the router automatically drops packets in violation of allowable upstream bandwidth. • shaping—(Optional) Enables rate limiting for the upstream port employing the token-bucket policing algorithm with traffic shaping to enforce strict DOCSIS-compliant rate limiting. We recommend this configuration, because not specifying the shaping option could result in unacceptable jitter in DOCSIS 1.1 networks. <p>Use the no version of this command to disable rate limiting on an upstream, but we do not recommend doing this.</p>
	Note Repeat Step 3 and Step 4 for each upstream port to be configured.	
Step 5	<p>end</p> <p>Example: Router(config-if)# end</p>	Exits interface configuration mode and returns to privileged EXEC mode.

Enabling Downstream Rate Limiting

Downstream rate limiting enables you to use the token-bucket policing algorithm with traffic shaping options or the weighted-discard policing algorithm to buffer, shape, or discard packets that exceed a set bandwidth. Downstream rate limiting is disabled by default.

To enable downstream rate limiting for a downstream port on a Cisco cable interface line card, use the following procedure.

SUMMARY STEPS

1. **enable**
2. **configure terminal**
3. **interface cable** *x/y*
or
interface cable *x/y/z*
4. **[no] cable downstream rate-limit** [**token-bucket** [**shaping**] [**granularity msec** | **max-delay msec** | **weighted-discard exp-weight**]]
5. **end**

DETAILED STEPS

	Command or Action	Purpose
Step 1	enable Example: Router> enable	Enables privileged EXEC mode. Enter your password if prompted.
Step 2	configure terminal Example: Router# configure terminal	Enters global configuration mode.
Step 3	interface cable <i>x/y</i> or interface cable <i>x/y/z</i> Example: Router(config)# interface cable 5/1	Enters interface configuration mode for the specified cable interface.

Command or Action	Purpose
<p>Step 4</p> <pre>[no] cable downstream rate-limit [token-bucket [shaping] [granularity msec max-delay msec weighted-discard exp-weight]]</pre> <p>Example: Router(config-if)# cable downstream rate-limit</p>	<p>Enables rate limiting on the downstream. You can also specify the following options:</p> <ul style="list-style-type: none"> • token-bucket—(Optional) Enables rate limiting on the downstream port using the token-bucket policing algorithm. With this command, the CMTS automatically drops packets that are in violation of the allowable bandwidth. • shaping—(Optional) Enables rate limiting on the downstream port using the token-bucket policing algorithm with traffic shaping. • granularity msec—(Optional) Enables rate limiting on the downstream port using the token-bucket policing algorithm with specific traffic-shaping time granularity. The valid values are 1, 2, 4, 8, or 16 milliseconds. • max-delay msec—(Optional) Enables rate limiting on the downstream port using the token-bucket policing algorithm with specific maximum traffic-shaping buffering delay. The valid values are 128, 256, 512, or 1028 milliseconds. • weighted-discard exp-weight—(Optional) Enables rate limiting on the downstream port using the weighted-packet discard policing algorithm and the specified weight for the exponential moving average of loss rate. The valid values are 1 to 4.
<p>Note Repeat Step 3 and Step 4 to configure each downstream interface.</p>	
<p>Step 5</p> <pre>end</pre> <p>Example: Router(config-if)# end</p>	<p>Exits interface configuration mode and returns to privileged EXEC mode.</p>

Creating and Configuring Spectrum Groups

A spectrum group defines the frequencies that an upstream is allowed to use when frequency hopping is done, as well as other parameters that control the frequency hops. When creating and configuring spectrum groups, you can specify the following parameters:

- Frequencies that are assigned to the group. The cable interface uses these frequencies to determine what frequencies are available to use when frequency hopping is needed. You can specify either a list of fixed frequencies or a band of frequencies, or both. The Cisco CMTS uses the following rules when adding frequencies to a spectrum group:
 - When specifying a fixed frequency, the Cisco CMTS assumes it is a center frequency with a 6.4-MHz channel width to allow that frequency to operate at all possible channel widths. For example, specifying a frequency of 17,700,000 Hz is equivalent to specifying a frequency band from 14,500,000 Hz to 20,900,000 Hz (a band that is 6.4 MHz wide).

- If you configure multiple fixed frequencies or bands of frequencies that overlap, the spectrum group combines them into one band. For example, if you specify a fixed frequency of 17,700,000 Hz and a band from 15,800,000 Hz to 25,200,000 Hz, the spectrum group is configured with one band from 14,500,000 Hz to 25,200,00 Hz.
- If you want more control over a spectrum group's frequencies, configure bands of frequencies with the same width as the desired channel width. For example, if you want to use a center frequency of 17,700,000 Hz with a 3.2-MHz channel width, specify a band that ranges from 16,100,000 Hz to 19,300,000 Hz. To ensure you configure non-overlapping bands, separate the bands by a minimum of 20 KHz.
- Upstream input power level—(Optional) Power level, in dBmV, that the upstream should use when hopping to a new frequency. (Some cable plants might want to change only the input power level, and not the frequency, on a daily time schedule.)
- Hop threshold—(Optional) Percentage of cable modems that start missing station maintenance messages before a frequency hop can occur. Configure the hop threshold percentage as needed to prevent a single failing cable interface from affecting service to other good cable interfaces. This ensures that the system does not hop endlessly because one cable modem is generating 90 percent of the errors and 90 percent of the traffic.
- Hop period—(Optional) Minimum time period that must elapse between frequency hops. This allows you to specify a time period long enough to allow an upstream to stabilize before another frequency hop can be performed.
- Scheduled hop time—(Optional) Time of day at which a frequency hop should be scheduled.
- Shared—(Optional) Specifies that all the upstream ports using a spectrum group should use a unique frequency.

**Tip**

Before adding a list of upstream frequencies (or frequency hop tables), start by determining which upstream ports are assigned to a combiner group. Refer to the [“Determining the Upstream Ports Assigned to a Combiner Group Example”](#) section on page 17-64 for an example.

Restrictions

- The Cisco uBR10012 router does not support spectrum management groups with fixed frequencies for the Cisco MC5X20S/U/H. The Cisco uBR7246VXR router does not support spectrum groups with fixed frequencies for the Cisco uBR-MC16U/X and Cisco uBR-MC28U/X.
- The Cisco uBR10012 router does not support inter-line card shared spectrum groups for the Cisco MC5X20S/U/H. The Cisco uBR7246VXR router does not support inter-line card shared spectrum groups for the Cisco uBR- MC16U/X and Cisco uBR- MC28U/X

To create and configure a spectrum group, use the the following procedure.

SUMMARY STEPS

1. **enable**
2. **configure terminal**
3. **cable spectrum-group** *group-number* [**time day hh:mm:ss**] **frequency** *up-freq-Hz* [*power-level-dBmV*]
4. **cable spectrum-group** *group-number* [**time day hh:mm:ss**] **band** *up-freq-Hz up-freq2-Hz* [*power-level-dBmV*]
5. **cable spectrum-group** *group-number* **hop period** *seconds*

6. **cable spectrum-group** *group-number* **hop threshold** [*percent*]
7. **cable spectrum-group** *group-number* **shared**
8. **end**

DETAILED STEPS

	Command or Action	Purpose
Step 1	<p>enable</p> <p>Example: Router> enable</p>	Enables privileged EXEC mode. Enter your password if prompted.
Step 2	<p>configure terminal</p> <p>Example: Router# configure terminal</p>	Enters global configuration mode.
Step 3	<p>cable spectrum-group <i>group-number</i> [time day <i>hh:mm:ss</i>] frequency <i>up-freq-Hz</i> [<i>power-level-dBmV</i>]</p> <p>Example: Router(config)# cable spectrum-group 4 time Monday 12:00:00 frequency 40000000</p>	<p>Creates the spectrum group (if it does not already exist), and adds the specified fixed frequency to the group.</p> <ul style="list-style-type: none"> • <i>group-number</i>—Number of the spectrum group to be created or configured. The valid range is from 1 to 32, or from 1 to 40, depending on the Cisco IOS software release. • time day <i>hh:mm:ss</i>—(Optional) For scheduled spectrum groups, enter the day of the week (Sun-Sat) and the time of day that the frequency and input power level should change. • frequency <i>up-freq-Hz</i>—Upstream center frequency, in Hertz. The valid range is 5,000,000 Hz to 42,000,000 Hz (DOCSIS), 55,000,000 Hz (Japan), or 65,000,000 (EuroDOCSIS). • <i>power-level-dBmV</i>—(Optional) Default input power level, in dBmV, that should be used for the upstream when hopping to one of the frequencies in this group. The valid range is -10 to 25 dBmV, with a default of 0 dBmV.

Command or Action	Purpose
<p>Step 4</p> <pre>cable spectrum-group <i>group-number</i> [time <i>day</i> <i>hh:mm:ss</i>] band <i>up-freq-Hz</i> <i>up-freq2-Hz</i> [<i>power-level-dBmV</i>]</pre> <p>Example:</p> <pre>Router(config)# cable spectrum-group 4 band 20000000 24000000 13</pre>	<p>Creates the spectrum group (if it does not already exist), and adds the specified band of frequencies to the group.</p> <ul style="list-style-type: none"> • <i>Group-number</i>—Number of the spectrum group to be created or configured. The valid range is from 1 to 32, or from 1 to 40, depending on the Cisco IOS software release. • time <i>day hh:mm:ss</i>—(Optional) For scheduled spectrum groups, enter the day of the week (Sun-Sat) and the time of day that the frequency and input power level should change. • band <i>up-freq1-Hz up-freq2-Hz</i>—Specifies a range of center frequencies the Cisco CMTS can scan to find an acceptable channel to which the spectrum group may hop. The valid range for <i>up-freq1-Hz</i> is 5,000,000 Hz to 42,000,000 Hz (DOCSIS), 55,000,000 Hz (Japan), or 65,000,000 (EuroDOCSIS). The valid range for <i>up-freq2-Hz</i> is the same, but <i>up-freq2-Hz</i> must be greater than <i>up-freq1-Hz</i>. • <i>power-level-dBmV</i>—(Optional) Input power level, in dBmV, that should be used for the upstream when hopping to one of the frequencies in this group. The default value is 0 dBmV.
<p>Note Repeat Step 3 and Step 4 as needed for each fixed frequency and frequency band that should be a member of this spectrum group. You must assign at least two fixed frequencies, or a frequency band that contains at least two center frequencies, to a spectrum group before frequency hopping can occur.</p>	
<p>Step 5</p> <pre>cable spectrum-group <i>group-number</i> hop period <i>seconds</i></pre> <p>Example:</p> <pre>Router(config)# cable spectrum-group 4 hop period 60</pre>	<p>Specifies the minimum time, in seconds, between frequency hops.</p> <ul style="list-style-type: none"> • <i>seconds</i>—Specifies the frequency-hop time period in seconds. Valid values are from 1 to 3600 seconds (before Cisco IOS Release 12.2(8)BC1), or from 1 to 300 seconds (Cisco IOS Release 12.2(8)BC1 or later). <p>Note We recommend a configuration of 30 seconds when using a Cisco uBR-MC5X20S/U/H BPE in a Cisco uBR10012 router.</p>
<p>Step 6</p> <pre>cable spectrum-group <i>group-number</i> hop threshold [<i>percent</i>]</pre> <p>Example:</p> <pre>Router(config)# cable spectrum-group 4 hop threshold 25</pre>	<p>Specifies the frequency hop threshold for a spectrum group.</p> <ul style="list-style-type: none"> • <i>percent</i>—(Optional) Specifies the frequency hop threshold as a percentage of station maintenance messages that are lost. Valid range is from 1 to 100 percent, with a default of 50 percent.

	Command or Action	Purpose
Step 7	cable spectrum-group <i>group-number</i> shared Example: Router(config)# cable spectrum-group 4 shared	(Optional) Specifies that the upstream ports in a spectrum group should use a unique upstream frequency.
Step 8	end Example: Router(config)# end	Exits global configuration mode and returns to privileged EXEC mode.

Assigning a Spectrum Group to One or More Upstream Ports

After a spectrum group has been created and configured, you must assign it to one or more upstream ports before the group's frequency spectrum is used for frequency hopping. You can assign a spectrum group to an upstream in the following ways:

- Use the **cable spectrum-group** interface configuration command to assign a spectrum group to all of the upstreams on a cable interface.
- Use the **cable upstream spectrum-group** interface configuration command to assign a spectrum group to one individual upstream. This command overrides a group that might have been assigned to all of the upstreams on the interface by the **cable spectrum-group** command.

To assign a spectrum group to one or all upstream ports on an interface, use the following procedure.

SUMMARY STEPS

1. **enable**
2. **configure terminal**
3. **interface cable** *x/y*
or
interface cable *x/y/z*
4. **cable spectrum-group** *group-number*
5. **cable upstream** *n* **spectrum-group** *group-number*
6. **end**

DETAILED STEPS

	Command or Action	Purpose
Step 1	enable Example: Router> enable	Enables privileged EXEC mode. Enter your password if prompted.
Step 2	configure terminal Example: Router# configure terminal	Enters global configuration mode.

	Command or Action	Purpose
Step 3	<pre>interface cable x/y or interface cable x/y/z</pre> <p>Example: Router(config)# interface cable 5/1 </p>	Enters interface configuration mode for the specified cable interface.
Step 4	<pre>cable spectrum-group group-number</pre> <p>Example: Router(config-if)# cable spectrum-group 4 </p>	Assigns the specified spectrum group as the default group for all upstreams on this cable interface. The valid range for <i>group-number</i> is from 1 to 32, or from 1 to 40, depending on the Cisco IOS software release.
Step 5	<pre>cable upstream n spectrum-group group-number</pre> <p>Example: Router(config-if)# cable upstream 1 spectrum-group 5</p>	<p>Assigns the specified spectrum group to this individual upstream, overriding any previous assignment that was done for all upstreams on the interface using the cable spectrum-group command.</p> <ul style="list-style-type: none"> <i>n</i>—Upstream port number. Valid values start with 0 for the first upstream port on the cable interface line card. <i>group-number</i>—Specifies the spectrum group to be assigned to this particular upstream. The valid range is from 1 to 32, or from 1 to 40, depending on the Cisco IOS software release. <p>Note Repeat this step for each upstream to be configured.</p>
	Note Repeat Step 3 through Step 5 for each cable interface to be configured.	
Step 6	<pre>end</pre> <p>Example: Router(config-if)# end </p>	Exits interface configuration mode and returns to privileged EXEC mode.

**Note**

For help in determining which upstream ports to assign in a combiner group, refer to the, [“Determining the Upstream Ports Assigned to a Combiner Group Example”](#) section on page 17-64.

**Tip**

To verify the spectrum group configuration, use the **show cable spectrum-group** command in privileged EXEC mode.

Configuring Shared Spectrum Groups (Fiber Node Groups) for DOCSIS 3.0

Cisco IOS Release 12.3(21)BC, and later releases, support shared spectrum groups, otherwise known as *fiber node groups*, for DOCSIS 3.0 on the Cisco uBR10012 router. This feature supports shared spectrum groups that cross multiple cable interface line cards on the Cisco uBR10012 router, and shared spectrum groups within a single cable interface line card.

Refer to the following documents on Cisco.com for additional information about configuring fiber node groups on the Cisco CMTS:

- [“Creating and Configuring Spectrum Groups”](#) section on page 17-29

- “Assigning a Spectrum Group to One or More Upstream Ports” section on page 17-33
- Cisco uBR10012 Universal Broadband Router SIP and SPA Software Configuration Guide
http://www.cisco.com/en/US/docs/interfaces_modules/shared_port_adapters/configuration/ubr10012/12.3_21_bc/swsipspa_book.html

Configuring Dynamic Upstream Modulation (SNR-Based)

To use the Dynamic Upstream Modulation feature on cable interface line cards that support only the SNR version of this feature, you must do the following:

1. Create a primary modulation profile. This typically is a more bandwidth-efficient but a less robust profile.
2. Optionally create a secondary modulation profile. This typically is a less bandwidth-efficient but a moderately robust profile.
3. Optionally create a tertiary modulation profile. This typically is a less bandwidth-efficient but a more robust profile.
4. Assign the profiles to the desired cable interfaces and upstreams.



Tip

When creating the modulation profiles, we recommend that you use the predefined modulation profiles, as opposed to manually specifying each burst parameter for each modulation profile.

Restrictions

- The Dynamic Upstream Modulation feature is supported only for DOCSIS 1.0 or DOCSIS 1.1 TDMA-only modulation profiles for advanced spectrum management.
- The DOCSIS 2.0 mixed-mode or ATDMA-only mode modulation profiles are supported only for basic spectrum management (SNR-based) and not for advanced spectrum management.
- The Three Step Dynamic Modulation feature supports only basic spectrum management features. It will not support modulation profile changes based on CNR thresholds and CNR measurements.
- The Dynamic Upstream Modulation feature is not enabled for single modulation profile configurations.
- You can configure only two modulation profiles when an upstream is already assigned to a spectrum group for frequency hopping. The spectrum group here implies advanced spectrum management and/or the use of CNR.
- A single profile is automatically removed from the configuration if three modulation profiles are assigned to an upstream interface before assigning spectrum group, based on the following conditions:
 - The robust profile is dropped if the upstream port is using a high performance profile.
 - The high performance profile is dropped if the upstream port is using a mid-level or robust profile.

To create and assign the primary, secondary, and tertiary modulation profiles to an upstream, use the following procedures.

SUMMARY STEPS

1. **enable**

2. **configure terminal**
3. **cable modulation-profile** *profile* { **mix** | **qam-64** | **qam-16** | **qpsk** | **robust-mix** }
4. **interface cable** *x/y*
or
interface cable *x/y/z*
5. **cable upstream** *n* **modulation-profile** *primary-profile-number* [*secondary-profile-number*]
[*tertiary-profile-number*]
6. **end**

DETAILED STEPS

	Command or Action	Purpose
Step 1	enable Example: Router> enable	Enables privileged EXEC mode. Enter your password if prompted.
Step 2	configure terminal Example: Router# configure terminal	Enters global configuration mode.

	Command or Action	Purpose
Step 3	<pre>cable modulation-profile profile {mix qam-64 qam-16 qpsk robust-mix}</pre> <p>Example: Router(config)# cable modulation-profile 3 mix</p>	<p>Creates the primary modulation profile for use on a DOCSIS 1.0 or DOCSIS 1.1 TDMA or A-TDMA upstream.</p> <ul style="list-style-type: none"> <i>profile</i>—Specifies the modulation profile number. For the DOCSIS 1.0 or DOCSIS 1.1 TDMA mode, the valid range is 1 to 10, 21 to 30, or 41 to 50, depending on the cable interface being used. The system creates profile 1, 21, or 41 as a default TDMA-only modulation profile. For the A-TDMA mode, the valid range is 221 to 230. mix—Default QPSK/16-QAM profile. qam-64—Default 64-QAM profile (used only for mixed DOCSIS mode or A-TDMA mode). qam-16—Default 16-QAM profile. qpsk—Default QPSK profile. robust-mix—Default QPSK/16-QAM profile that is more robust and more able to deal with noise than the mix profile. <p>Typically, the primary profile is either qam-16 or mix.</p> <p>Note Repeat this command to create the secondary and tertiary profile for use on a DOCSIS 1.0 or DOCSIS 1.1 TDMA or A-TDMA upstream. Typically, the secondary and tertiary profiles are either robust-mix or qpsk.</p> <p>Note You can also create custom modulation profiles with the cable modulation-profile command by configuring the values for the individual burst parameters. These parameters, however, should not be modified unless you are thoroughly familiar with how changing each parameter affects the DOCSIS MAC layer. We recommend using the preconfigured default modulation profiles for most cable plants.</p>
Step 4	<pre>interface cable x/y or interface cable x/y/z</pre> <p>Example: Router(config)# interface cable 5/1</p>	<p>Enters interface configuration mode for the specified cable interface.</p>

	Command or Action	Purpose
<p>Step 5</p>	<pre>able upstream n modulation-profile primary-profile-number [secondary-profile-number] [tertiary-profile-number]</pre> <p>Example: Router(config-if)# cable upstream 0 modulation-profile 3 4 5</p> <p>Note For Cisco IOS release 12.3(13a)BC and later, the SNR, correctable FEC, and uncorrectable FEC thresholds can be user-defined using the following commands:</p> <pre>cable upstream n threshold snr-profiles [threshold1-in-dB threshold2-in-dB]</pre> <p>Example: Router (config-if)# cable upstream 0 threshold snr-profiles 3 4</p> <pre>cable upstream n threshold corr-fec [threshold1-in-percent]</pre> <p>Example: Router (config-if)# cable upstream n threshold corr-fec 50</p> <pre>cable upstream n threshold uncorr-fec [threshold1-in-percent]</pre> <p>Example: Router (config-if)# cable upstream n threshold uncorr-fec 10</p> <pre>cable upstream n threshold hysteresis hysteresis-in-dB</pre> <p>Example: Router (config-if)# cable upstream n threshold hysteresis 10</p> <p>Note The cable upstream threshold hysteresis command was introduced in Cisco IOS Release 12.3(23)BC7.</p>	<p>Assigns a primary modulation profile, and the optional secondary and tertiary modulation profiles, to the specified upstream port.</p> <ul style="list-style-type: none"> <i>n</i>—Upstream port number. Valid values start with 0 for the first upstream port on the cable interface line card. <i>primary-profile-number</i>—Specifies the primary modulation profile. <i>secondary-profile-number</i>—(Optional) Specifies the secondary modulation profile. <i>tertiary-profile-number</i>—(Optional) Specifies the tertiary modulation profile. <p>Defines threshold parameters.</p> <ul style="list-style-type: none"> <i>n</i>—Upstream port number. Valid values start with 0 for the first upstream port on the cable interface line card. snr-profiles threshold1-in-dB—SNR threshold for the modulation profile (5 to 35 dB, with a default of 25) snr-profile threshold2-in-dB—SNR threshold for the modulation profile (5 to 35 dB, must be less than that for the primary modulation profile, with a default of 15) corr-fec threshold1-in-percent—Allowable number of correctable FEC errors for the upstream, given as a percentage of total packets received on the upstream during the polling period. The valid range is 0 to 30 percent of total packets, and a default of 3 percent. uncorr-fec threshold1-in-percent—Allowable number of uncorrectable FEC errors for the upstream, given as a percentage of total packets received on the upstream during the polling period. The valid range is 0 to 30 percent of total packets, with a default of 1 percent. <i>hysteresis-in-dB</i>—Defines the hysteresis value. The valid range is 0 to 10 dB.
<p>Step 6</p>	<pre>end</pre> <p>Example: Router(config-if)# end</p>	<p>Exits interface configuration mode and returns to privileged EXEC mode.</p>



Tip

See the “[Dynamic Upstream Modulation \(SNR-Based\)](#)” section on page 17-19 for a complete description of the Dynamic Upstream Modulation feature.

Verifying Frequency Hopping

You can verify frequency hopping on the CMTS either by using the command-line interface (CLI) or by using an RF tone generator.

For Cisco IOS Release 12.3(13a)BC and later releases, two more **show** commands have been added:

- **show cable hop upstream history**
- **show cable hop upstream threshold**

Verifying Frequency Hopping Using CLI Commands

To verify frequency hopping using CLI commands, use the following procedure:

- Step 1** Verify that the interface being tested is up, using the **show interface cable** command in privileged EXEC mode. The first line of the output shows whether both the interface and line protocol are up.

```
Router# show interface c6/0

Cable6/0 is up, line protocol is up
  Hardware is BCM3210 ASIC, address is 000a.13e8.1ca8 (bia 000a.13e8.1ca8)
  Internet address is 10.20.114.33/27
  MTU 1500 bytes, BW 27000 Kbit, DLY 1000 usec,
```

- Step 2** Verify that the upstream being tested is up, using the **show interface cable upstream** command. The first line shows whether the upstream is up.

```
Router# show interface c6/0 upstream 5

Cable6/0: Upstream 5 is up
  Received 8 broadcasts, 0 multicasts, 6388105 unicasts
  0 discards, 0 errors, 0 unknown protocol
  6388113 packets input, 0 uncorrectable
  0 noise, 0 microreflections
  Total Modems On This Upstream Channel : 23 (22 active)
```

- Step 3** Use the **show cable hop upstream** command to display the frequency that the upstream is currently using:

```
Router# show cable hop c6/0 upstream 5

Upstream   Port      Poll Missed Min   Missed Hop   Hop   Corr   Uncorr
Port       Status    Rate Poll  Poll  Poll  Thres Period FEC   FEC
           (ms)     Count Sample Pcnt  Pcnt  (sec) Errors Errors
Cable6/0/U5 16.816 Mhz 1000 0     10    0%   20%   25    0     0
```

- Step 4** Use the **show cable hop upstream history** command to display the frequency change, modulation change, and channel width change action history of the upstreams:

```
Router# show cable hop c6/0/0 upstream 0 history
F = Frequency Hop, M = Modulation Change, C = Channel Width Change

Upstream   Action          Chg   Chg   Action
Port       Time           Code From To   Reason
C6/0/0 U0  Feb 20 12:21:29 M 142  141  SNR 28>=28 CFEC 0<=3 UnCFEC 0<=1
           Feb 20 12:09:08 F   0.000 24.000 Configuration changed
```

**Note**

Cisco IOS Release 12.3(23)BC7 modifies the **show cable hop upstream history** command to show the identifier for the modulation profile.

- Step 5** Use the **show cable hop upstream threshold** command to display the user defined thresholds and current CNR, SNR, correctable FEC percentage, uncorrectable FEC percentage, and missed station maintenances percentage values of the upstream(s):

```
Router# show cable hop c6/0/0 upstream threshold
```

Upstream Port	SNR (dB)		CNR (dB)			CorrFEC%		UncorrFEC%		MissedSM%		
	Val	Thre1	Thre2	Val	Thre1	Thre2	Pcnt	Thre	Pcnt	Thre	Pcnt	Thre
Ca6/0/0/U0	27	25	15	39	35	25	0	3	0	1	75	75
Ca6/0/0/U1	31	25	15	51	35	25	0	3	0	1	90	75
Ca6/0/0/U2	--	35	25	--	35	25	0	3	0	1	0	75
Ca6/0/0/U3	--	35	25	--	35	25	0	3	0	1	0	75

- Step 6** Use the **test cable hop** command to force the desired upstream to perform a frequency hop. A few seconds after giving the command, a console message should appear informing you of the hop. Repeat the command as needed to verify that the upstream hops through all the frequencies that have been assigned to the upstream's spectrum group.

```
Router# test cable hop c6/0 upstream 5
```

```
2w0d: %UBR7200-5-USFREQCHG: Interface Cable6/0 Port U5, frequency changed to 15.760 MHz
```

```
Router# test cable hop c6/0 upstream 5
```

```
2w0d: %UBR7200-5-USFREQCHG: Interface Cable6/0 Port U5, frequency changed to 26.832 MHz
```

Verifying Frequency Hopping Using an RF Tone Generator

To verify frequency hopping using an RF tone generator, first verify that the upstream is performing properly. Then inject a tone to the upstream port at the current upstream frequency and cable modem power level.

For example, if the upstream frequency is 22.4 MHz, inject a 22.4-MHz tone at approximately the same power level as the modem. If the power level at the modem is 40 dBmV, set the tone power to 40 dBmV. The interfering carrier should shut down the channel and cause the frequency to change to the next configured value (such as 24.0 MHz).

If you do not have an RF tone generator, use another line card and modem that carries traffic. Connect the upstream to the same combiner group, and use the data carrier as an interfering signal by setting it to the same frequency. For example, to test frequency hopping on c3/0, install c4/0 and connect both upstreams together using a combiner. If the upstream frequency of c3/0 is 22.4 MHz, set c4/0 to 22.4 MHz while c4/0 is carrying traffic. This should force c3/0 to change the frequency to the next configured value.

The comparison of the number of errors versus the number of error-free packets is a measure of the link quality. The percentage of errors should be less than one percent.

Troubleshooting Spectrum Group Characteristics

To troubleshoot the configuration, make sure that you entered a valid spectrum group number, time, frequency, and input power level. Also, when defining your spectrum, use the following guidelines:

- Avoid frequencies with known ingress problems, such as amateur radio bands or short-wave bands.
- Avoid a hostile spectrum below 20 MHz.
- Allow extra bands for frequency hopping.
- Place upstream ports in the same combiner group in a shared spectrum group.
- Use the receive power level setting to perform slight equalization adjustments.

Intelligent and Advanced Spectrum Management Configuration Tasks

The following sections describe the configuration tasks that are needed to configure a Cisco uBR7200 series router or Cisco uBR10012 router for the intelligent and advanced spectrum management features that are available with the the Cisco uBR-MC16U/X, Cisco uBR-MC28U/X, and Cisco uBR10-MC5X20S/U/H cable interface line cards.

- [Configuring and Assigning Spectrum Groups, page 17-41](#)
- [Configuring Dynamic Upstream Modulation \(CNR-Based\), page 17-41](#)
- [Configuring Proactive Channel Management, page 17-44](#)
- [Verifying the Spectrum Management Configuration, page 17-50](#)

Configuring and Assigning Spectrum Groups

You must create and configure a spectrum group before you can use the intelligent and advanced spectrum management features. These procedures are the same as those used for guided and scheduled spectrum management, which are given in the following sections:

- [Creating and Configuring Spectrum Groups, page 17-29](#)
- [Assigning a Spectrum Group to One or More Upstream Ports, page 17-33](#)

After the spectrum groups have been configured and assigned to upstreams, the Cisco IOS software automatically uses the advanced frequency hopping algorithms on the cable interface line cards that support it.

**Note**

For efficient use of the intelligent and advanced spectrum management features, we recommend configuring only frequency bands, and not fixed frequencies, when creating spectrum groups. A spectrum group must contain a frequency band that is wide enough for the cable interface to find at least two center frequencies at the configured channel width, before frequency hopping can occur.

Configuring Dynamic Upstream Modulation (CNR-Based)

Configuring the CNR-based version of the Dynamic Upstream Modulation feature is similar to configuring the SNR-version of this feature:

1. Create a primary modulation profile. This typically is a more bandwidth-efficient but a less robust profile.

2. Create a secondary modulation profile. This typically is a less bandwidth-efficient but a more robust profile.

**Tip**

When creating the modulation profiles, we recommend that you use the predefined modulation profiles, as opposed to manually specifying each burst parameter for each modulation profile.

3. Assign the profiles to the desired cable interfaces and upstreams.

After the modulation profiles have been created and assigned to upstreams, the Cisco IOS software automatically uses the advanced CNR-based version of the Dynamic Upstream Modulation feature on the cable interface line cards that support it.

Restrictions

- The Dynamic Upstream Modulation feature is supported only for DOCSIS 1.0 or DOCSIS 1.1 TDMA-only modulation profiles. It is not supported for DOCSIS 2.0 mixed-mode or A-TDMA-only mode modulation profiles.
- If you are using a software release between Cisco IOS Release 12.2(8)BC2 and Cisco IOS Release 12.2(11)BC2 inclusive, you must perform an additional configuration when using the **mix** and **qam-16** predefined modulation profiles. This is because the short and long grant bursts of the **mix** and **qam-16** profiles default to a unique word offset of 8 (uw8). These values should be changed to **uw16** for optimal performance. To do this, first create the modulation profiles using the procedure given in this section, and then issue the following commands for each modulation profile that uses the **mix** or **qam-16** predefined modulation profiles:

```
cable modulation-profile n short 6 75 6 8 16qam scrambler 152 no-diff 144
fixed uw16
cable modulation-profile n long 8 220 0 8 16qam scrambler 152 no-diff 160
fixed uw16
```

**Note**

The defaults for these predefined profiles were corrected in Cisco IOS Release 12.2(11)BC3 and later releases, and this step is no longer needed.

- Three Step Dynamic Modulation is not supported on the CNR-based version of Dynamic Upstream Modulation.
- The CNR-based Dynamic Upstream Modulation feature does not support A-TDMA modulation profiles. However, A-TDMA is supported in the SNR-based Dynamic Upstream Modulation feature.

To assign the primary and secondary profiles to an upstream, use the following procedure.

SUMMARY STEPS

1. **enable**
2. **configure terminal**
3. **cable modulation-profile** *profile* {**mix** | **qam-16** | **qpsk** | **robust-mix**}
4. **interface cable** *x/y*
or
interface cable *x/y/z*
5. **cable upstream** *n* **modulation-profile** *primary-profile-number* *secondary-profile-number*
6. **end**

DETAILED STEPS

	Command or Action	Purpose
Step 1	<pre>enable</pre> <p>Example: Router> enable</p>	Enables privileged EXEC mode. Enter your password if prompted.
Step 2	<pre>configure terminal</pre> <p>Example: Router# configure terminal</p>	Enters global configuration mode.
Step 3	<pre>cable modulation-profile profile {mix qam-16 qpsk robust-mix}</pre> <p>Example: Router(config)# cable modulation-profile 3 mix</p>	<p>Creates the primary modulation profile for use on a DOCSIS 1.0 or DOCSIS 1.1 TDMA upstream.</p> <ul style="list-style-type: none"> • <i>profile</i>—Specifies the modulation profile number. For the DOCSIS 1.0 or DOCSIS 1.1 TDMA mode, the valid range is 1 to 10, 21 to 30, or 41 to 50, depending on the cable interface being used. The system creates profile 1, 21, or 41 as a default TDMA-only modulation profile. • mix—Default QPSK/16-QAM profile. • qam-16—Default 16-QAM profile. • qpsk—Default QPSK profile. • robust-mix—Default QPSK/16-QAM profile that is more robust and more able to deal with noise than the mix profile. <p>Typically, the primary profile is either qam-16 or mix.</p> <p>Note Repeat this command to create the secondary profile for use on a DOCSIS 1.0 or DOCSIS 1.1 TDMA upstream. Typically, the secondary profile is either robust-mix or qpsk.</p> <p>Note You can also create custom modulation profiles with the cable modulation-profile command by configuring the values for the individual burst parameters. These parameters, however, should not be modified unless you are thoroughly familiar with how changing each parameter affects the DOCSIS MAC layer. We recommend using the preconfigured default modulation profiles for most cable plants.</p>
Step 4	<pre>interface cable x/y</pre> <p>or</p> <pre>interface cable x/y/z</pre> <p>Example: Router(config)# interface cable 5/1</p>	Enters interface configuration mode for the specified cable interface.

	Command or Action	Purpose
Step 5	<pre>cable upstream n modulation-profile primary-profile-number secondary-profile-number</pre> <p>Example: Router(config-if)# cable upstream 0 modulation-profile 3 4</p>	<p>Assigns a primary modulation profile, and an optional secondary modulation profile, to the specified upstream port.</p> <ul style="list-style-type: none"> <i>n</i>—Upstream port number. Valid values start with 0 for the first upstream port on the cable interface line card. <i>primary-profile-number</i>—Specifies the primary modulation profile. <i>secondary-profile-number</i>—Specifies the secondary modulation profile.
Step 6	<pre>end</pre> <p>Example: Router(config-if)# end</p>	<p>Exits interface configuration mode and returns to privileged EXEC mode.</p>

Configuring Proactive Channel Management

The cable interface line cards that support the advanced spectrum management features can be configured with the following parameters so as to fine-tune the operation of proactive channel management on the cards' upstreams:

- Priority of the corrective actions to be taken when noise on an upstream exceeds the threshold for its modulation profile
- CNR and SNR threshold and FEC values for the upstream and its two modulation profiles
- Allowable range of channel widths that can be used if frequency hopping or modulation switching cannot avoid the upstream problems

These parameters all have default settings, so you do not need to perform this procedure unless you want to change these parameters to better match the characteristics of your physical plant.

A major exception to this is if you are using only one modulation profile and are using a software release prior to Cisco IOS Release 12.2(8)BC2. In these releases, a frequency hop would occur if just one of the measured values (CNR value, correctable FEC counter, or uncorrectable FEC counter) crosses the configured threshold value. Because of this, if you are using only one modulation profile (QPSK) with one of these software releases, you might need to reduce the CNR threshold value and increase the correctable FEC error value to prevent undesired frequency hopping.



Note

This situation no longer occurs in Cisco IOS Release 12.2(8)BC2 and later releases, because a frequency hop can occur only when both the CNR value and one of the FEC counters falls below the threshold value.

To configure these parameters, use the following procedure.



Note

Starting with Cisco IOS Release 12.3(13a)BC, the **cable upstream n threshold** command was changed to provide more functionality.

Configuring Proactive Channel Management for Releases Prior to 12.3(13a)BC

SUMMARY STEPS

1. **enable**
2. **configure terminal**
3. **interface cable *x/y***
or
interface cable *x/y/z*
4. **cable upstream *n* hop-priority frequency modulation channel-width**
or
cable upstream *n* hop-priority modulation frequency channel-width
or
cable upstream *n* hop-priority frequency channel-width modulation
5. **cable upstream *n* threshold cnr-profile1 *threshold1-in-dB* cnr-profile2 *threshold2-in-dB* corr-fec *fec-corrected* uncorr-fec *fec-uncorrected***
6. **cable upstream *n* channel-width *first-choice-width* [*last-choice-width*]**
7. **end**

DETAILED STEPS

	Command or Action	Purpose
Step 1	enable Example: Router> enable	Enables privileged EXEC mode. Enter your password if prompted.
Step 2	configure terminal Example: Router# configure terminal	Enters global configuration mode.
Step 3	interface cable <i>x/y</i> or interface cable <i>x/y/z</i> Example: Router(config)# interface cable 5/1	Enters interface configuration mode for the specified cable interface.

Command or Action	Purpose
<p>Step 4</p> <pre> cable upstream n hop-priority frequency modulation channel-width or cable upstream n hop-priority modulation frequency channel-width or cable upstream n hop-priority frequency channel-width modulation </pre> <p>Example:</p> <pre> Router(config-if)# cable upstream 0 hop-priority frequency channel-width modulation </pre>	<p>Specifies the priority of the three types of corrective actions (modulation, frequency, and channel-width) to be taken when the noise for the upstream exceeds the threshold specified for the current modulation profile. The default priority is frequency, modulation, and channel-width.</p> <ul style="list-style-type: none"> <i>n</i>—Upstream port number. Valid values start with 0 for the first upstream port on the cable interface line card. <p>Note The channel-width option must always appear after the frequency option.</p>
<p>Step 5</p> <pre> cable upstream n threshold cnr-profile1 threshold1-in-dB cnr-profile2 threshold2-in-dB corr-fec fec-corrected uncorr-fec fec-uncorrected </pre> <p>Example:</p> <pre> Router(config-if)# cable upstream 5 threshold cnr-profile1 20 cnr-profile2 10 corr-fec 5 uncorr-fec 1 # </pre>	<p>Specifies the CNR threshold and FEC values for the upstream and its two modulation profiles.</p> <ul style="list-style-type: none"> <i>n</i>—Upstream port number. Valid values start with 0 for the first upstream port on the cable interface line card. cnr-profile1 threshold1-in-dB—CNR threshold for the primary modulation profile (5 to 35 dB, with a default of 25). cnr-profile2 threshold2-in-dB—CNR threshold for the secondary modulation profile (5 to 35 dB, must be less than that for the primary modulation profile, with a default of 13). corr-fec fec-corrected—Allowable number of correctable FEC errors for the upstream, as given as a percentage of total packets received on the upstream during the polling period. The valid range is 0 to 30 percent of total packets, and a default of 3 percent. uncorr-fec fec-uncorrected—Allowable number of uncorrectable FEC errors for the upstream, as given as a percentage of total packets received on the upstream during the polling period. The valid range is 0 to 30 percent of total packets, with a default of 1 percent. <p>Note For normal plant use, we recommend that the uncorrectable FEC threshold remain at its default of 1 percent to avoid an unacceptable number of errors on the channel.</p>

	Command or Action	Purpose
Step 6	<pre>cable upstream n channel-width first-choice-width [last-choice-width]</pre> <p>Example: Router(config-if)# cable upstream 0 channel-width 800000 800000</p>	<p>Specifies the range of allowable channel widths that can be used when ingress noise conditions require changing the channel width. The upstream begins with the first-choice channel width and decreases in half until it hits the secondary channel width.</p> <ul style="list-style-type: none"> <i>first-choice-width</i>—Specifies upstream channel width in hertz (Hz). The valid values are: <ul style="list-style-type: none"> – 200,000 (160,000 symbols/sec) – 400,000 (320,000 symbols/sec) – 800,000 (640,000 symbols/sec) – 1,600,000 (1,280,000 symbols/sec) (Default) – 3,200,000 (2,560,000 symbols/sec) – 6,400,000 (5,120,000 symbols/sec) (DOCSIS 2.0 A-TDMA-only upstreams only) <i>last-choice-width</i>—(Optional) Upstream channel width in hertz. Supports the same values as <i>first-choice-width</i>, but must be less than or equal to <i>first-choice-width</i>.
	Note Repeat Step 4 through Step 6 for each upstream to be configured.	
Step 7	<pre>end</pre> <p>Example: Router(config-if)# end</p>	Exits interface configuration mode and returns to privileged EXEC mode.

Configuring Proactive Channel Management for Release 12.3(13a)BC

SUMMARY STEPS

1. **enable**
2. **configure terminal**
3. **interface cable *x/y***
or
interface cable *x/y/z*
4. **cable upstream *n* hop-priority frequency modulation channel-width**
or
cable upstream *n* hop-priority modulation frequency channel-width
or
cable upstream *n* hop-priority frequency channel-width modulation
5. **cable upstream *n* upstream threshold cnr-profiles *threshold1-in-dB threshold2-in-dB***
6. **cable upstream *n* upstream threshold snr-profiles *threshold1-in-dB threshold2-in-dB***
7. **cable upstream *n* threshold hysteresis *hysteresis-in-dB***
8. **cable upstream *n* threshold corr-fec *corr-fec-threshold***
9. **cable upstream *n* threshold uncorr-fec *uncorr-fec-threshold***
10. **cable upstream *n* channel-width *first-choice-width* [*last-choice-width*]**

11. end

DETAILED STEPS

	Command or Action	Purpose
Step 1	<code>enable</code> Example: Router> enable	Enables privileged EXEC mode. Enter your password if prompted.
Step 2	<code>configure terminal</code> Example: Router# configure terminal	Enters global configuration mode.
Step 3	<code>interface cable x/y</code> or <code>interface cable x/y/z</code> Example: Router(config)# interface cable 5/1	Enters interface configuration mode for the specified cable interface.
Step 4	<code>cable upstream n hop-priority frequency modulation channel-width</code> or <code>cable upstream n hop-priority modulation frequency channel-width</code> or <code>cable upstream n hop-priority frequency channel-width modulation</code> Example: Router(config-if)# cable upstream 0 hop-priority frequency channel-width modulation	Specifies the priority of the three types of corrective actions (modulation , frequency , and channel-width) to be taken when the noise for the upstream exceeds the threshold specified for the current modulation profile. The default priority is frequency , modulation , and channel-width . <ul style="list-style-type: none"> <i>n</i>—Upstream port number. Valid values start with 0 for the first upstream port on the cable interface line card. Note The channel-width option must always appear after the frequency option.
Step 5	<code>cable upstream n threshold cnr-profiles threshold1-in-dB threshold2-in-dB</code> Example: Router(config-if)#cable upstream 2 threshold cnr-profiles 23 14	(Optional) Specifies the CNR threshold and FEC values for the upstream and its two modulation profiles. <ul style="list-style-type: none"> <i>n</i>—Upstream port number. Valid values start with 0 for the first upstream port on the cable interface line card. <i>threshold1-in-dB</i>—CNR threshold for the primary modulation profile (5 to 35 dB, with a default of 25). <i>threshold2-in-dB</i>—CNR threshold for the secondary modulation profile (5 to 35 dB, must be less than that for the primary modulation profile, with a default of 15).

	Command or Action	Purpose
Step 6	<p>cable upstream <i>n</i> upstream threshold snr-profiles <i>threshold1-in-dB threshold2-in-dB</i></p> <p>Example: Router(config-if)# cable upstream 2 threshold snr-profiles 23 14</p>	<p>(Optional) Specifies the SNR threshold and FEC values for the upstream and its two modulation profiles.</p> <ul style="list-style-type: none"> • <i>n</i>—Upstream port number. Valid values start with 0 for the first upstream port on the cable interface line card. • <i>threshold1-in-dB</i>—SNR threshold for the primary modulation profile (5 to 35 dB, with a default of 25) • <i>threshold2-in-dB</i>—SNR threshold for the secondary modulation profile (5 to 35 dB, must be less than that for the primary modulation profile, with a default of 15)
Step 7	<p>cable upstream <i>n</i> threshold hysteresis hysteresis-in-dB</p> <p>Example: Router(config-if)# cable upstream 2 threshold hysteresis 3</p>	<p>(Optional) Specifies the hysteresis value to be used in conjunction with the dynamic modulation upgrade thresholds.</p> <ul style="list-style-type: none"> • hysteresis <i>hysteresis-in-dB</i>—Allowable number of hysteresis value to be used in conjunction with the dynamic modulation upgrade thresholds. The valid range is 0 to 10.
Step 8	<p>cable upstream <i>n</i> threshold corr-fec corrfec-threshold</p> <p>Example: Router(config-if)# cable upstream 5 threshold corr-fec 5</p>	<p>(Optional) Specifies the CNR threshold and FEC values for the upstream and its two modulation profiles.</p> <ul style="list-style-type: none"> • <i>n</i>—Upstream port number. Valid values start with 0 for the first upstream port on the cable interface line card. • <i>corrfec-threshold</i>—Allowable number of correctable FEC errors for the upstream, as given as a percentage of total packets received on the upstream during the polling period. The valid range is 0 to 30 percent of total packets, and a default of 3 percent.
Step 9	<p>cable upstream <i>n</i> threshold uncorr-fec uncorr-fec-threshold</p> <p>Example: Router(config-if)# cable upstream 5 threshold uncorr-fec 1</p>	<p>(Optional) Specifies the CNR threshold and FEC values for the upstream and its two modulation profiles.</p> <ul style="list-style-type: none"> • <i>n</i>—Upstream port number. Valid values start with 0 for the first upstream port on the cable interface line card. • <i>uncorr-fec-threshold</i>—Allowable number of uncorrectable FEC errors for the upstream, as given as a percentage of total packets received on the upstream during the polling period. The valid range is 0 to 30 percent of total packets, with a default of 1 percent. <p>Note For normal plant use, we recommend that the uncorrectable FEC threshold remain at its default of 1 percent to avoid an unacceptable number of errors on the channel.</p>

Command or Action	Purpose
<p>Step 10</p> <pre>cable upstream <i>n</i> channel-width <i>first-choice-width</i> [<i>last-choice-width</i>]</pre> <p>Example: Router(config-if)# cable upstream 0 channel-width 800000 800000</p>	<p>(Optional) Specifies the range of allowable channel widths that can be used when ingress noise conditions require changing the channel width. The upstream begins with the first-choice channel width and decreases in half until it hits the secondary channel width.</p> <ul style="list-style-type: none"> <i>first-choice-width</i>—Specifies upstream channel width in hertz (Hz). The valid values are: <ul style="list-style-type: none"> 200,000 (160,000 symbols/sec) 400,000 (320,000 symbols/sec) 800,000 (640,000 symbols/sec) 1,600,000 (1,280,000 symbols/sec) (Default) 3,200,000 (2,560,000 symbols/sec) 6,400,000 (5,120,000 symbols/sec) (DOCSIS 2.0 A-TDMA-only upstreams only) <i>last-choice-width</i>—(Optional) Upstream channel width in hertz. Supports the same values as <i>first-choice-width</i>, but must be less than or equal to <i>first-choice-width</i>.
<p>Note Repeat Step 4 through Step 10 for each upstream to be configured.</p>	
<p>Step 11</p> <pre>end</pre> <p>Example: Router(config-if)# end</p>	<p>Exits interface configuration mode and returns to privileged EXEC mode.</p>

Verifying the Spectrum Management Configuration

Follow the steps given below to verify the spectrum management configuration.

-
- Step 1** To check the value of the settings you have entered, use the **show running-config** command in privileged EXEC mode:
- ```
Router# show running-config
```
- Step 2** To display the configuration for each modulation profile, use the **show cable modulation-profile** command in privileged EXEC mode:
- ```
Router# show cable modulation-profile
```
- To display the configuration for a specific modulation profile, add the profile number to the **show cable modulation-profile** command in privileged EXEC mode:
- ```
Router# show cable modulation-profile 6
```
- Step 3** To display the status and configuration of each upstream, use the **show controllers cable upstream** command in privileged EXEC mode. The following example shows the display for the first two upstreams on a Cisco uBR-MC16U/X line card:
- ```
Router# show controllers c6/0 upstream
```
- ```
Cable6/0 Upstream 0 is administratively down
Frequency not set, Channel Width 1.600 MHz, QPSK Symbol Rate 1.280 Msps
```

```

Spectrum Group is unassigned
CNR - Unknown - no modems online.
Nominal Input Power Level 0 dBmV, Tx Timing Offset 0
Ranging Backoff automatic (Start 0, End 3)
Ranging Insertion Interval automatic (60 ms)
Tx Backoff Start 0, Tx Backoff End 4
Modulation Profile Group 1
Concatenation is enabled
Fragmentation is enabled
part_id=0x3137, rev_id=0x03, rev2_id=0xFF
nb_agc_thr=0x0000, nb_agc_nom=0x0000
Range Load Reg Size=0x58
Request Load Reg Size=0x0E
Minislot Size in number of Timebase Ticks is = 8
Minislot Size in Symbols = 64
Bandwidth Requests = 0x0
Piggyback Requests = 0x0
Invalid BW Requests= 0x0
Minislots Requested= 0x0
Minislots Granted = 0x0
Minislot Size in Bytes = 16
Map Advance (Dynamic) : 2180 usecs
UCD Count = 0
DES Ctrl Reg#0 = C000C043, Reg#1 = 0
Cable6/0 Upstream 1 is up
 Frequency 25.008 MHz, Channel Width 1.600 MHz, 16-QAM Symbol Rate 1.280 Msps
 Spectrum Group 1, Last Frequency Hop Data Error: NO(0)
 MC16S CNR measurement - 45 dB
 Nominal Input Power Level 0 dBmV, Tx Timing Offset 2811
 Ranging Backoff automatic (Start 0, End 3)
 Ranging Insertion Interval automatic (60 ms)
 Tx Backoff Start 0, Tx Backoff End 4
 Modulation Profile Group 1
 Concatenation is enabled
 Fragmentation is enabled
 part_id=0x3137, rev_id=0x03, rev2_id=0xFF
 nb_agc_thr=0x0000, nb_agc_nom=0x0000
 Range Load Reg Size=0x58
 Request Load Reg Size=0x0E
 Minislot Size in number of Timebase Ticks is = 8
 Minislot Size in Symbols = 64
 Bandwidth Requests = 0x12
 Piggyback Requests = 0x5
 Invalid BW Requests= 0x0
 Minislots Requested= 0xFA
 Minislots Granted = 0xFA
 Minislot Size in Bytes = 32
 Map Advance (Dynamic) : 2454 usecs
 UCD Count = 230
 DES Ctrl Reg#0 = C000C043, Reg#1 = 0
 Dynamic Services Stats:
 DSA: 0 REQs 0 RSPs 0 ACKs
 0 Successful DSAs 0 DSA Failures
 DSC: 0 REQs 0 RSPs 0 ACKs
 0 Successful DSCs 0 DSC Failures
 DSD: 0 REQs 0 RSPs
 0 Successful DSDs 0 DSD Failures

 DCC: 0 REQs 0 RSPs 0 ACKs
 0 Successful DCCs 0 DCC Failures

```

**Note**

In the above example, upstream 0 displays “CNR - Unknown - no modems online” to indicate that the CNR value has not yet been calculated because no cable modems have come online for that particular upstream. This is true for the Cisco uBR-MC16U/X and Cisco uBR-MC28U/X, because the CNR calculation is modem based. For the Cisco uBR-MC5X20S/U/H, the CNR value displays even though no cable modems have come online for that particular upstream.

- Step 4** To display the hop period and hop threshold values for each upstream, use the **show cable hop** command in privileged EXEC mode:

```
Router# show cable hop
```

| Upstream Port | Port Status | Poll Rate (ms) | Missed Poll Count | Min Poll Sample | Missed Poll Pcnt | Hop Thres Pcnt | Hop Period (sec) | Corr FEC Errors | Uncorr FEC Errors |
|---------------|-------------|----------------|-------------------|-----------------|------------------|----------------|------------------|-----------------|-------------------|
| Cable3/0/U0   | 20.800 Mhz  | 105            | 0                 | 20              | 0%               | 25%            | 45               | 1               | 4                 |
| Cable3/0/U1   | 20.800 Mhz  | 105            | 0                 | 48              | 0%               | 25%            | 45               | 2               | 19                |
| Cable3/0/U2   | 23.120 Mhz  | 105            | 0                 | 45              | 0%               | 25%            | 45               | 0               | 5                 |
| Cable3/0/U3   | 22.832 Mhz  | 105            | 0                 | 26              | 0%               | 25%            | 45               | 0               | 6                 |
| Cable3/0/U4   | 22.896 Mhz  | 105            | 0                 | 43              | 0%               | 25%            | 45               | 0               | 7                 |
| Cable3/0/U5   | 23.040 Mhz  | 105            | 0                 | 54              | 0%               | 25%            | 45               | 1               | 3                 |
| Cable4/0/U0   | 22.896 Mhz  | 117            | 0                 | 26              | 0%               | 25%            | 45               | 0               | 2                 |
| Cable4/0/U1   | 23.168 Mhz  | 117            | 0                 | 87              | 0%               | 25%            | 45               | 4               | 2                 |
| Cable4/0/U2   | 22.896 Mhz  | 117            | 0                 | 23              | 0%               | 25%            | 45               | 1               | 0                 |
| Cable4/0/U3   | 20.800 Mhz  | 117            | 0                 | 54              | 0%               | 25%            | 45               | 0               | 0                 |
| Cable4/0/U4   | 22.928 Mhz  | 117            | 0                 | 22              | 0%               | 25%            | 45               | 0               | 1                 |
| Cable4/0/U5   | 22.960 Mhz  | 117            | 0                 | 0               | -----            | 25%            | 45               | 0               | 0                 |

- Step 5** To display changes from one state to another, at any time and for any reason, for frequency, modulation, and channel width, use the **history** option of the **show cable hop** command.

```
Router# show cable hop c8/1/1 u0 history
```

F = Frequency Hop, M = Modulation Change, C = Channel Width Change

| Upstream Port | Action Time     | Chg Code | Chg From | Chg To | Action Reason                    |
|---------------|-----------------|----------|----------|--------|----------------------------------|
| C8/1/1 U0     | Feb 20 12:21:29 | M        | 142      | 141    | SNR 28>=28 CFEC 0<=3 UnCFEC 0<=1 |
|               | Feb 20 12:09:08 | F        | 0.000    | 24.000 | Configuration changed            |

- Step 6** To display thresholds for SNR, CNR, and FEC, use the **threshold** option of the **show cable hop** command.

```
Router# show cable hop c8/1/1 u0 threshold
```

| Upstream Port | SNR(dB) |       |       | CNR(dB) |       |       | CorrFEC% |      | UncorrFEC% |      | MissedSM% |      |
|---------------|---------|-------|-------|---------|-------|-------|----------|------|------------|------|-----------|------|
|               | Val     | Thre1 | Thre2 | Val     | Thre1 | Thre2 | Pcnt     | Thre | Pcnt       | Thre | Pcnt      | Thre |
| C8/1/1 u0     | 33      | 23    | 14    | 60      | 25    | 15    | 0        | 1    | 0          | 2    | 0         | 50   |

- Step 7** To display the assignment of each spectrum group, use the **show cable spectrum-group** command in privileged EXEC mode:

```
Router# show cable spectrum-group
```

| Group No. | Frequency Band (Mhz) | Upstream Port       | Weekly Scheduled Availability | Power Level (dBmV) | Shared Spectrum |
|-----------|----------------------|---------------------|-------------------------------|--------------------|-----------------|
|           |                      | From Time: To Time: |                               |                    |                 |
| 1         | 20.000-21.600        |                     |                               | 0                  | No              |
| 1         | 22.000-24.000        |                     |                               | 0                  | No              |

```

1 20.784 [1.60] Cable3/0 U0 0
1 20.784 [1.60] Cable3/0 U1 0
1 23.120 [1.60] Cable3/0 U2 0
1 22.832 [1.60] Cable3/0 U3 0
1 22.896 [1.60] Cable3/0 U4 0
1 23.024 [1.60] Cable3/0 U5 0
1 23.152 [1.60] Cable4/0 U1 0
1 22.896 [1.60] Cable4/0 U0 0
1 22.896 [1.60] Cable4/0 U2 0
1 20.784 [1.60] Cable4/0 U3 0
1 22.928 [1.60] Cable4/0 U4 0
1 22.960 [1.60] Cable4/0 U5 0

```

**Step 8** To display the current CNR value for a particular cable modem, use the **show cable modem cnr** command in privileged EXEC mode:

```
Router# show cable modem 5.100.1.94 cnr
```

| MAC Address    | IP Address | I/F       | MAC State | Prim Sid | snr/cnr (dB) |
|----------------|------------|-----------|-----------|----------|--------------|
| 0018.689c.17b8 | 5.100.1.94 | C7/0/0/U1 | online    | 428      | 36.12        |

**Note**

The command output will be CNR when you use specific groups, otherwise it will be SNR.

## Monitoring Spectrum Management

You can use Cisco IOS CLI commands to monitor spectrum management activity on the Cisco CMTS. If you are using Cisco IOS Release 12.2(8)BC2 or later 12.2 BC releases, you can also use SNMP to monitor the spectrum management activity. See the following sections for more information:

- [Using CLI Commands, page 17-53](#)
- [Using SNMP, page 17-55](#)

**Note**

When using the Cisco uBR-MC5X20S/U/H BPE you must also use Cisco IOS Release 12.3(13a)BC or a later release.

## Using CLI Commands

The following commands provide information on the spectrum condition of an upstream:

| Command                                                           | Purpose                                                                                                                                                                                     |
|-------------------------------------------------------------------|---------------------------------------------------------------------------------------------------------------------------------------------------------------------------------------------|
| Router# <b>show cable hop</b> [cx/y]<br>[ <b>upstream</b> usport] | Displays the hop period and hop threshold values, as well as the FEC error counters, for all upstreams in the router, all upstreams on one cable interface line card, or a single upstream. |

| Command                                                                                                                                                        | Purpose                                                                                                                                                                                                                                                                                                                                                                                                                                                                                                                                                                   |
|----------------------------------------------------------------------------------------------------------------------------------------------------------------|---------------------------------------------------------------------------------------------------------------------------------------------------------------------------------------------------------------------------------------------------------------------------------------------------------------------------------------------------------------------------------------------------------------------------------------------------------------------------------------------------------------------------------------------------------------------------|
| Router# <b>show cable hop</b> [ <i>cablex/y[z]</i> ]<br>[ <i>upstream n</i> ] [ <i>thresholds</i> ]                                                            | Displays the configured and current value of SNR in dB, CNR in dB, CorrFEC in percent, UncorrFEC in percent, and missed station maintenance in percent for a specified upstream.<br><br><b>Note</b> Supported in Cisco IOS Release 12.3(13a)BC or later release.                                                                                                                                                                                                                                                                                                          |
| Router# <b>show cable hop history</b>                                                                                                                          | <ol style="list-style-type: none"> <li>1. With the <b>show cable hop history</b> command for entire CMTS, the most recent change of each action is displayed.</li> <li>2. With the <b>show cable hop history</b> command for a MAC domain, the most recent three changes of each action are displayed.</li> <li>3. With the <b>show history</b> command for a specific US, the last ten changes of each action are displayed. Changes are sorted by time with the most recent at top.</li> </ol> <b>Note</b> Supported in Cisco IOS Release 12.3(13a)BC or later release. |
| Router# <b>show cable hop</b> [ <i>cablex/y[z]</i> ]<br>[ <i>upstream n</i> ] [ <i>summary</i> ]                                                               | Displays hourly, daily, weekly, 30 days running average, and average since the system was brought up for each specified upstream.<br><br><b>Note</b> Supported in Cisco IOS Release 12.3(13a)BC or later release.                                                                                                                                                                                                                                                                                                                                                         |
| Router# <b>show cable hop</b> [ <i>cablex/y[z]</i> ]<br>[ <i>upstream n</i> ] [ <i>history</i> ]                                                               | Displays changes from one state to another, at any time and for any reason, for frequency, modulation, and channel width.<br><br><b>Note</b> Supported in Cisco IOS Release 12.3(23)BC7 or later release. The output of the <b>show cable hop history</b> is modified to include more information in the “change from” and “change to” fields of the output. Now, the modulation profile number is displayed when a change occurs, instead of the modulation order.                                                                                                       |
| Router# <b>show cable modem</b> [ <i>ip-address</i>   <i>interface</i>   <i>mac-address</i> ] [ <i>options</i> ]                                               | Displays information, including SNR values, for the registered and unregistered cable modems.<br><br><b>Note</b> Cisco IOS Release 12.3(13a)BC supports a <b>cnr</b> option that displays the CNR value for a specific cable modem, if it is using an upstream on the Cisco uBR-MC5X20S/U/H BPE.                                                                                                                                                                                                                                                                          |
| Router# <b>show cable modulation-profile</b> [ <i>num</i> ] [ <i>initial</i>   <i>long</i>   <i>reqdata</i>   <i>request</i>   <i>short</i>   <i>station</i> ] | Displays the configuration for all modulation profiles, for a particular modulation profile, or for a specific burst type for a particular modulation profile.                                                                                                                                                                                                                                                                                                                                                                                                            |

| Command                                                                                                                | Purpose                                                                                                                                                                                              |
|------------------------------------------------------------------------------------------------------------------------|------------------------------------------------------------------------------------------------------------------------------------------------------------------------------------------------------|
| Router# <b>show cable spectrum-group</b> [groupnum] [detail]                                                           | Displays information about the spectrum groups that have been configured.<br><br><b>Note</b> The <b>detail</b> keyword is supported only in Cisco IOS Release 12.2(8)BC2 and later 12.2 BC releases. |
| Router# <b>show controllers cable x/y upstream n</b> [ ip-address   mac-address ] start-freq end-freq res-freq         | Displays the upstream's status, including the current frequency, channel width, modulation rate, and spectrum groups.                                                                                |
| Router# <b>show controllers cable x/y upstream n spectrum</b> [ip-address   mac-address ] start-freq end-freq res-freq | Displays the noise levels for a particular cable modem or displays the background noise for an entire upstream.                                                                                      |

**Note**

The **show cable flap-list** command displays the CMTS router's flap list, which can provide additional information about whether cable modems on an upstream are experiencing problems, and if so, what type of problems are occurring. For more information, see the chapter "[Flap List Troubleshooting for the Cisco CMTS](#)" in this guide.

## Using SNMP

You can use SNMP to monitor the spectrum management activity. The SNMP manager can be a graphically-based SNMP manager such as CiscoView or the Cable Broadband Troubleshooter (Release 3.0 or later).

The CISCO-CABLE-SPECTRUM-MIB has been enhanced to provide this SNMP support using the following MIB attributes:

- [ccsSNRRequestTable](#), page 17-55
- [ccsSpectrumRequestTable](#), page 17-56
- [ccsSpectrumDataTable](#), page 17-57
- [ccsUpSpecMgmtTable](#), page 17-57
- [ccsHoppingNotification](#), page 17-59

### ccsSNRRequestTable

[Table 17-4](#) lists the attributes in the `ccsSNRRequestTable` table, which contains the CNR measurements that are made for individual cable modems on an upstream.

**Table 17-4** *ccsSNRRequestTable* Attributes

| Attribute            | Type       | Description                                                     |
|----------------------|------------|-----------------------------------------------------------------|
| ccsSNRRequestIndex   | Integer32  | Arbitrary index to uniquely identify each table entry.          |
| ccsSNRRequestMacAddr | MacAddress | MAC address of the remote online cable modem being reported on. |

**Table 17-4** *ccsSNRRequestTable Attributes (continued)*

| Attribute                | Type                | Description                                                                                                                                   |
|--------------------------|---------------------|-----------------------------------------------------------------------------------------------------------------------------------------------|
| ccsSNRRequestSNR         | Integer32           | SNR value, in dB, that has been measured. This value is 0 when the Operation State is "running."                                              |
| ccsSNRRequestOperation   | CCSRequestOperation | Sets the current operation: start, pending, running, or abort.                                                                                |
| ccsSNRRequestOperState   | CCSRequestOperState | Reports on the current operation state: idle, pending, running, noError, aborted, notOnLine, invalidMac, timeOut, fftBusy, fftFailed, others. |
| ccsSNRRequestStartTime   | TimeStamp           | Contains the time when the SNR measurement operation starts.                                                                                  |
| ccsSNRRequestStoppedTime | TimeStamp           | Contains the time when the SNR measurement stops.                                                                                             |
| ccsSNRRequestStatus      | RowStatus           | Controls the modification, creation, and deletion of table entries.                                                                           |

## ccsSpectrumRequestTable

[Table 17-5](#) lists the attributes for each entry in the `ccsSpectrumRequestTable` table, which is used to obtain the spectrum profile for a particular cable modem or to obtain the background SNR for an entire upstream.

**Table 17-5** *ccsSpectrumRequestTable Attributes*

| Attribute                     | Type                 | Description                                                                                                                               |
|-------------------------------|----------------------|-------------------------------------------------------------------------------------------------------------------------------------------|
| ccsSpectrumRequestIndex       | Integer32            | Arbitrary index to uniquely identify each table entry.                                                                                    |
| ccsSpectrumRequestIfIndex     | InterfaceIndexOrZero | Interface identifying the upstream.                                                                                                       |
| ccsSpectrumRequestMacAddr     | MacAddress           | MAC address to specify an SNR value for a particular cable modem, or 0000.0000.0000 to indicate background noise for the entire spectrum. |
| ccsSpectrumRequestUpperFreq   | CCSFrequency         | Upper frequency for the frequency range to be monitored (5000 to 42000 KHz, with a default of 42000 KHz).                                 |
| ccsSpectrumRequestLowFreq     | CCSFrequency         | Lower frequency (in KHz) for the frequency range to be monitored (5000 to 42000 KHz, with a default of 5000 KHz).                         |
| ccsSpectrumRequestResolution  | Integer32            | Requested resolution to determine how the frequency range should be sampled (12 to 37000 KHz, with a default of 60 KHz).                  |
| ccsSpectrumRequestStartTime   | TimeStamp            | Time when the spectrum measurement began.                                                                                                 |
| ccsSpectrumRequestStoppedTime | TimeStamp            | Time when the spectrum measurement finished.                                                                                              |

**Table 17-5** *ccsSpectrumRequestTable Attributes (continued)*

| Attribute                   | Type                | Description                                                                |
|-----------------------------|---------------------|----------------------------------------------------------------------------|
| ccsSpectrumRequestOperation | CCSRequestOperation | Starts a new spectrum management request or aborts the current one.        |
| ccsSpectrumRequestOperState | CCSRequestOperState | Provides the operational state of the current spectrum management request. |
| ccsSpectrumRequestStatus    | RowStatus           | Controls the modification, creation, and deletion of table entries.        |

## ccsSpectrumDataTable

Table 17-6 lists the attributes in each entry of the ccsSpectrumDataTable table, which contains the results for a spectrum request.

**Table 17-6** *ccsSpectrumDataTable Attributes*

| Attribute            | Type                 | Description                                                       |
|----------------------|----------------------|-------------------------------------------------------------------|
| ccsSpectrumDataFreq  | CCSMeasuredFrequency | Frequency in KHz for which this power measurement was made.       |
| ccsSpectrumDataPower | INTEGER              | Measured received power for the given frequency (–50 to 50 dBmV). |



### Note

The ccsSpectrumRequestTable and ccsSpectrumDataTable tables provide the same information as that provided by the **show controllers cable upstream spectrum** command. This command is obsolete in Cisco IOS Release 12.3(21)BC.

## ccsUpSpecMgmtTable

Table 17-7 lists the attributes in the ccsUpSpecMgmtTable table, which provides an entry describing each frequency hop.

**Table 17-7** *ccsUpSpecMgmtEntry Attributes*

| Attribute                | Type      | Description                                                                                                                                                                                                    |
|--------------------------|-----------|----------------------------------------------------------------------------------------------------------------------------------------------------------------------------------------------------------------|
| ccsUpSpecMgmtHopPriority | INTEGER   | Specifies the priority of frequency, modulation profile, and channel width in determining corrective action for excessive noise on the upstream (default is frequency, modulation profile, and channel width). |
| ccsUpSpecMgmtSnrThres1   | Integer32 | Specifies the upper SNR threshold for modulation profile 1 (5 to 35 dB, default of 25).                                                                                                                        |

Table 17-7 *ccsUpSpecMgmtEntry Attributes (continued)*

| Attribute                       | Type         | Description                                                                                                                                               |
|---------------------------------|--------------|-----------------------------------------------------------------------------------------------------------------------------------------------------------|
| ccsUpSpecMgmtSnrThres2          | Integer32    | Specifies the upper SNR threshold for modulation profile 2 (5 to 35 dB, default of 13, and must be lower than that specified for ccsUpSpecMgmtSnrThres1). |
| ccsUpSpecMgmtFecCorrectThres1   | Integer32    | Specifies the FEC correctable error threshold for modulation profile 1 (1 to 20 percent)                                                                  |
| ccsUpSpecMgmtFecCorrectThres2   | Integer32    | Deprecated and no longer used.                                                                                                                            |
| ccsUpSpecMgmtFecUnCorrectThres1 | Integer32    | Specifies the FEC uncorrectable error threshold for modulation profile 1 (1 to 20 percent).                                                               |
| ccsUpSpecMgmtFecUnCorrectThres2 | Integer32    | Deprecated and no longer used.                                                                                                                            |
| ccsUpSpecMgmtSnrPollPeriod      | Integer32    | Deprecated and no longer used.                                                                                                                            |
| ccsUpSpecMgmtHopCondition       | INTEGER      | Reports the condition that triggers a frequency hop (SNR value or percentage of modems going offline).                                                    |
| ccsUpSpecMgmtFromCenterFreq     | CCSFrequency | Provides the center frequency (in KHz) before the latest frequency hop.                                                                                   |
| ccsUpSpecMgmtToCenterFreq       | CCSFrequency | Provides the current center frequency (in KHz) after the latest frequency hop.                                                                            |
| ccsUpSpecMgmtFromBandWidth      | CCSFrequency | Provides the channel width (in KHz) before the latest frequency hop.                                                                                      |
| ccsUpSpecMgmtToBandWidth        | CCSFrequency | Provides the current channel width (in KHz) after the latest frequency hop.                                                                               |
| ccsUpSpecMgmtFromModProfile     | Integer32    | Provides the modulation profile number before the latest frequency hop.                                                                                   |
| ccsUpSpecMgmtToModProfile       | Integer32    | Provides the current modulation profile number after the latest frequency hop.                                                                            |
| ccsUpSpecMgmtSNR                | Integer32    | Provides the current SNR value (in dB) for the upstream.                                                                                                  |
| ccsUpSpecMgmtCnrThres1          | Integer32    | Specifies the upper CNR threshold for modulation profile 1 (5 to 35 dB, default of 25).                                                                   |
| ccsUpSpecMgmtCnrThres2          | Integer32    | Specifies the upper CNR threshold for modulation profile 2 (5 to 35 dB, default of 13, and must be lower than that specified for ccsUpSpecMgmtCnrThres1). |
| ccsUpSpecMgmtCNR                | Integer32    | Provides the current CNR value (in dB) for the upstream.                                                                                                  |

**Table 17-7** *ccsUpSpecMgmtEntry Attributes (continued)*

| Attribute                        | Type      | Description                                                                                                               |
|----------------------------------|-----------|---------------------------------------------------------------------------------------------------------------------------|
| ccsUpSpecMgmtMissedMaintMsgThres | Integer32 | Provides the frequency hop threshold, as a percentage of station maintenance messages that are lost for a spectrum group. |
| ccsUpSpecMgmtHopPeriod           | Integer32 | Provide the minimum time, in seconds, between frequency hops.                                                             |

## ccsHoppingNotification

Table 17-8 describes the attributes contained in the notification that is sent after each frequency hop.

**Table 17-8** *ccsHoppingNotification Attributes*

| Attribute                   | Type         | Description                                                                                            |
|-----------------------------|--------------|--------------------------------------------------------------------------------------------------------|
| ccsUpSpecMgmtHopCondition   | INTEGER      | Reports the condition that triggers a frequency hop (SNR value or percentage of modems going offline). |
| ccsUpSpecMgmtFromCenterFreq | CCSFrequency | Provides the center frequency (in KHz) before the latest frequency hop.                                |
| ccsUpSpecMgmtToCenterFreq   | CCSFrequency | Provides the current center frequency (in KHz) after the latest frequency hop.                         |
| ccsUpSpecMgmtFromBandWidth  | CCSFrequency | Provides the channel width (in KHz) before the latest frequency hop.                                   |
| ccsUpSpecMgmtToBandWidth    | CCSFrequency | Provides the current channel width (in KHz) after the latest frequency hop.                            |
| ccsUpSpecMgmtFromModProfile | Integer32    | Provides the modulation profile number before the latest frequency hop.                                |
| ccsUpSpecMgmtToModProfile   | Integer32    | Provides the current modulation profile number after the latest frequency hop.                         |

## Configuration Examples

This section provides the following configuration examples:

- [Upstream Traffic Shaping and Rate Limiting Examples, page 17-60](#)
- [Downstream Traffic Shaping and Rate Limiting Examples, page 17-63](#)
- [Spectrum Group and Combiner Group Examples, page 17-63](#)
- [Other Spectrum Management Configuration Examples, page 17-66](#)
- [Dynamic Upstream Modulation Examples, page 17-67](#)
- [Input Power Level Example, page 17-69](#)
- [Advanced Spectrum Management Configuration Examples, page 17-69](#)

## Upstream Traffic Shaping and Rate Limiting Examples

Upstream rate limiting is enabled by default in the Cisco CMTS router, so the **cable upstream rate-limit** command does not appear in the router's configuration file. To determine if upstream rate limiting is configured and activated, enter the **show running-config** command and look for the cable interface configuration information.

If upstream rate limiting is disabled, "*no cable upstream rate-limit*" appears in the output. You can also perform the following tasks to verify that rate limiting is enabled on the upstream channel:

- 
- Step 1** Configure a low-peak upstream rate limit for the cable modem in its QoS profile. Either use the command-line interface (CLI) to modify the modem's QoS profile, or edit the modem's TFTP configuration file.
- Use a regular rate-limiting algorithm on the upstream without rate shaping and note the drops of the excess bandwidth requests from this cable modem when it exceeds its peak upstream rate.
- Use the **show interface cx/y sid counters** command to see the bandwidth request drops. Verify that the upstream rate received by that modem is less than its configured peak rate due to the timeouts and backoffs produced by the drop in bandwidth requests. Enter the **show interface cx/y sid** command to see the input rate at the CMTS in bps.
- Step 2** Enable grant shaping on the upstream channel by using the new **shaping** keyword extension to the token-bucket algorithm CLI command.
- Step 3** Make the cable modem exceed its peak upstream rate by generating upstream traffic, and note the effect of grant buffering (shaping) at the CMTS. If you use cable modem-to-CMTS pings, you see a perceivable slowing down of the pings.

Let the pings run for a period to let averages at the CMTS settle; then view the upstream rate received by this single modem. Use the **show interface cx/y** command and see the input rate in bps. This value should be close to the modem's peak upstream rate. Also note the drop counts for the modem's SID by using the **show interface sid counters** command, and verify that the CMTS no longer drops the bandwidth requests from the cable modem.

The bandwidth request drop count (from the previous nonshaping test) remains unchanged when upstream rate shaping is used, indicating that the CMTS is actually shaping (buffering) the grants for the modem. Verify that the input rate at the CMTS (from the single rate-exceeded CM) stabilizes close to the configured peak rate of 128 Kbps.

---

Perform these steps if you are having difficulty with verification:

- Ensure that the cable connections are not loose or disconnected.
- Ensure that the cable interface line card is firmly seated in its chassis slot.
- Ensure that the captive installation screws are tight.
- Verify that you have entered the correct slot and port numbers.
- Verify that you selected a valid frequency for your router.

### Configuring the Low-Peak-Rate Limit Example

```
Router# show cable modem
```

| Interface | SID | Online State | Timing Offset | Receive Power | QoS | IP address | MAC address |
|-----------|-----|--------------|---------------|---------------|-----|------------|-------------|
|-----------|-----|--------------|---------------|---------------|-----|------------|-------------|





## Downstream Traffic Shaping and Rate Limiting Examples

### Downstream Rate Limiting Example

The following example shows how to apply the token-bucket filter algorithm:

```
Router(config-if)# cable downstream rate-limit token-bucket shaping
```

### Verifying Downstream Rate Limiting Example

To determine if downstream rate limiting is configured and activated, enter the **show running-config** command and look for the cable interface configuration information. If downstream rate limiting is configured and enabled, a rate limiting entry appears in the output. If downstream rate limiting is disabled, no rate limiting entry appears.

```
Router# show running-config

Building configuration...
Current configuration:
!
interface cable5/0/0
ip address 10.254.254.254 255.0.0.0
no ip directed-broadcast
cable helper-address 192.168.1.1
no keepalive
cable downstream rate-limit token-bucket shaping
cable downstream annex B
cable downstream modulation 64qam
```

Perform these steps if you are having difficulty with verification:

- Ensure that the cable connections are not loose or disconnected.
- Ensure that the cable interface line card is firmly seated in its chassis slot.
- Ensure that the captive installation screws are tight.
- Verify that you have entered the correct slot and port numbers
- Verify that you selected the default if you are not certain about the modulation rate needed.
- Verify the downstream carrier is active using the **cable downstream if-output** command.

## Spectrum Group and Combiner Group Examples

### Verifying Spectrum Group Creation Example

To verify that a spectrum group has been created, enter the **show cable spectrum-group** command:

```
Router# show cable spectrum-group
spectrum-group 1
spectrum-group 2
spectrum-group 3
```

### Time-Scheduled Spectrum Group Example

If your cable plant has an upstream noise characteristic on a weekly cycle, use time-scheduled spectrum allocation.

```
Router(config)# cable spectrum-group 1 time Mon 08:00:00 frequency 2160000
```

Deletion is performed using the **delete** keyword:

```
Router(config)# cable spectrum-group 1 time Mon 18:00:00 delete frequency 2160000
```

## Verifying Spectrum Group Configuration Example

To verify if spectrum groups have been configured and activated, enter the **show cable spectrum-group** command. This command displays each spectrum group, the frequencies assigned to it, the upstream port to which it has been assigned, whether a schedule exists for it, the currently measured power level, and whether it is a shared spectrum group.

```
Router# show cable spectrum-group
```

```
22:07:46: %SYS-5-CONFIG_I: Configured from console by console
Group Frequency Upstream Weekly Scheduled Power Shared
No. Band Port Availability Level Spectrum
 (Mhz)
1 5.000-15.000
1 12.000
1 22.000 Cable6/0 U5 7 Yes
2 29.000 Cable6/0 U4 6 No
2 26.000
3 35.000-41.000
3 16.000-19.000 Cable6/0 U3 5 No
5* 5.000-10.000 Thu 21:50:00 Thu 21:45:00 0 Yes
```

## Determining the Upstream Ports Assigned to a Combiner Group Example

Following is a sample topology for a CMTS with combiner groups designated A through J. Combiner groups C and E have multiple upstream ports that should be configured in a shared spectrum group. The other upstreams should be configured in a nonshared spectrum group.

In this example, ten combiner groups are served with frequency hop tables from three spectrum groups:

```
Cable3/0
DS +-----+ Upconverter +----- laser group 1
U0 +----- combiner group A
U1 +----- combiner group B
U2 +-----combiner group C
U3 +-----combiner group C
U4 +----- combiner group D
U5 +-----combiner group E
Cable4/0
DS +-----+ Upconverter +----- laser group 2
U0 +-----combiner group E
U1 +----- combiner group F
U2 +----- combiner group G
U3 +----- combiner group H
U4 +----- combiner group I
U5 +----- combiner group J
```

The *laser group* term refers to the set of fiber nodes that share the same downstream signal. An optical splitter is often used to create individual feeds per node.

In the downstream direction, two 6-MHz channel slots are assigned. All fiber nodes in combiner groups A through E should have a channel slot containing the downstream signal from Cable3/0. Combiner groups A through E are said to belong to laser group 1.

All fiber nodes in combiner groups E through J should have a channel slot containing the downstream signal from Cable4/0. Combiner groups E through J are said to belong to laser group 2.

Because combiner group E belongs to two laser groups, there should be two different downstream channel slots for Cable3/0 and Cable4/0.

## Combiner Group Example

The following example enables spectrum management for all upstream ports, where all combiner groups use the frequency band from 20 to 26 MHz:

```
CMTS01(config)# cable spectrum-group 1 band 20000000 26000000
CMTS01(config)# cable spectrum-group 2 shared
CMTS01(config)# cable spectrum-group 2 band 20000000 26000000
CMTS01(config)# cable spectrum-group 3 shared
CMTS01(config)# cable spectrum-group 3 band 20000000 26000000
CMTS01(config)# interface Cable3/0
CMTS01(config-if)# cable spectrum-group 1
CMTS01(config-if)# cable upstream 2 spectrum-group 2
CMTS01(config-if)# cable upstream 3 spectrum-group 2
CMTS01(config-if)# cable upstream 5 spectrum-group 3
CMTS01(config-if)# exit
CMTS01(config)# interface Cable4/0
CMTS01(config-if)# cable spectrum-group 1
CMTS01(config-if)# cable upstream 0 spectrum-group 3
```

A description of the spectrum groups 1 through 3 follows:

- Spectrum group 1—This group is nonshared. Upstream RF domains exist for each member upstream port.

| Upstream Port | RF Domain        |
|---------------|------------------|
| Cable3/0 U0   | combiner group A |
| Cable3/0 U1   | combiner group B |
| Cable3/0 U4   | combiner group D |
| Cable4/0 U1   | combiner group F |
| Cable4/0 U2   | combiner group G |
| Cable4/0 U3   | combiner group H |
| Cable4/0 U4   | combiner group I |
| Cable4/0 U5   | combiner group J |

- Spectrum group 2—This group is shared. A single upstream RF domain exists.

| Upstream Port | RF Domain        |
|---------------|------------------|
| Cable3/0 U2   | combiner group C |
| Cable3/0 U3   | combiner group C |

- Spectrum group 3—This group is shared. A single upstream RF domain exists.

| Upstream Port | RF Domain        |
|---------------|------------------|
| Cable3/0 U5   | combiner group E |
| Cable4/0 U0   | combiner group E |

For the 20- to 26-MHz band of each RF domain, the spectrum is channelized according to the channel width settings of each member port. For example, if the ports U2 and U3 of Cable3/0 are set to 3.2 MHz and 1.6 MHz channel widths, respectively, then spectrum group 2 uses the following channelization:

```
> Channel Width Start Stop Center
> (Mhz) (Mhz) (Mhz) (Mhz)
> 1 3.2 20.0 23.2 21.6
> 2* 1.6 20.0 21.6 20.8
> 3* 1.6 21.6 23.2 22.4
> 4 1.6 23.2 24.8 24.0
```

**Note**


---

Channels 2 and 3 are not available when channel 1 is in use.

---

Because the group is shared, ports U2 and U3 will be assigned channels 1 and 4, respectively, to prevent overlap.

**Note**


---

There are no alternate frequency assignments for either port, and bandwidth is wasted from 24.8 to 26.0 MHz. To create alternate channels, increase the upper boundary from 26.0 to 28.0 MHz.

---

```
> Channel Width Start Stop Center
> (Mhz) (Mhz) (Mhz) (Mhz)
> 1 3.2 20.0 23.2 21.6
> 2 3.2 23.2 26.4 24.8
> 3 1.6 20.0 21.6 20.8
> 4 1.6 21.6 23.2 22.4
> 5 1.6 23.2 24.8 24.0
> 6 1.6 24.8 26.4 25.6
> 7 1.6 26.4 28.0 27.4
```

Try to reduce the spectrum allocation when it is used with small channel widths. Otherwise, there will be a large number of upstream channel slots, and the frequency hopping may require several minutes to find a clean slot.

## Other Spectrum Management Configuration Examples

To configure differing spectrum groups, refer to the following examples:

- Use the following example to add a time-scheduled spectrum. You can add a spectrum on a weekly schedule by including an optional weekday and time:

```
Router(config)# cable spectrum-group 1 time Mon 08:00:00 frequency 21600000
```

Use the **delete** keyword to delete the frequency:

```
Router(config)# cable spectrum-group 1 time Mon 18:00:00 delete frequency 21600000
```

- Use the following example to configure spectrum group 1 with an upstream frequency of 6,500,000 Hz and a default power level of 0 dBmV:

```
Router(config)# cable spectrum-group 1 frequency 6500000
```

- Use the following example to add the upstream frequency 7,000,000 Hz to the list of valid frequencies with a default power level of 0 dBmV for spectrum group 1:

```
Router(config)# cable spectrum-group 1 frequency 7000000
```

- Use the following example to configure spectrum group 2 with an upstream frequency 7,500,000 Hz and change the power level to 5 dBmV:

```
Router(config)# cable spectrum-group 2 frequency 7500000 5
```

- Use the following example to configure spectrum group 3 with an upstream band of 12,000,000 to 18,000,000 Hz and default power level of 0 dBmV:

```
Router(config)# cable spectrum-group 3 band 12000000 18000000
```

- Use the following example to add the upstream band 20,000,000 to 24,000,000 Hz to the list of valid bands with a change in the power level of 13 dBmV for spectrum group 3:

```
Router(config)# cable spectrum-group 3 band 20000000 24000000 13
```

- Use the following example to configure a continuous band between 5,000,004 and 40,000,000 Hz for scheduled spectrum group 4 with a default power level of 0 dBmV. The band is available to the spectrum group starting at 12:00 p.m. local time each Monday:

```
Router(config)# cable spectrum-group 4 time Monday 12:00:00 band 5000004 40000000
```

- Use the following example to add the upstream frequency 9,500,000 Hz to the list of valid frequencies and change the nominal power level to 5 dBmV. The spectrum manager adjusts frequencies and power levels on this group at 2:00 a.m. local time each day:

```
Router(config)# cable spectrum-group 3 time 02:00:00 frequency 9500000 5
```

- Use the following example to configure the minimum period before which a frequency hop can occur in seconds:

```
Router(config)# cable spectrum-group 3 hop period 800
```

- Use the following example to configure the threshold value (expressed as a percentage) of the number of “offline” modems identified before the router initiates an automatic frequency hop:

```
Router(config)# cable spectrum-group 3 hop threshold 40
```

- Use the following example to configure a particular spectrum group as a shared RF spectrum group. Specifying a given spectrum group as “shared” tells the router that you want to be sure that upstream frequencies assigned to upstream ports are not assigned to additional upstream ports:

```
Router(config)# cable spectrum-group 3 shared
```

- Use the following example to remove a specified spectrum group from your configuration:

```
Router(config)# no cable spectrum-group 3
```

- The following is an example of a spectrum group configuration that is designed to perform minor equalization as a function of frequency.

```
CMTS01(config)# cable spectrum-group 1 frequency 21600000
CMTS01(config)# cable spectrum-group 1 frequency 24800000 1
CMTS01(config)# cable spectrum-group 1 frequency 28000000 2
```

In this example, the upstream port receives power at 21.6 MHz with a default power level of 0 dBmV, at 24.8 MHz with a power level of 1 dBmV, and at 28.0 MHz with a power level of 2 dBmV. At any time, the power level set in the interface configuration overrides the spectrum group power level.

## Dynamic Upstream Modulation Examples

The following examples describe how to display modulation profile information with the **show cable modulation-profile** command and to define a modulation profile with the **cable modulation-profile** command.

### Verifying Your Settings

- Step 1** To check the value of the settings you have entered, enter the **show running-config** command in privileged EXEC mode:

```
Router# show running-config
```

To review changes you make to the configuration, use the **show startup-config** command in privileged EXEC mode to display the information stored in NVRAM.

- Step 2** To display modulation profile group information, use the **show cable modulation-profile** command in privileged EXEC mode:

```
Router# show cable modulation-profile [profile] [iuc-code]
```

This command uses the following syntax:

- *profile*—(Optional) Profile number. Valid values are from 1 to 8.
- *iuc-code*—(Optional) Internal usage code.

Valid options are:

- **initial**—Initial ranging burst
- **long**—Long grant burst
- **request**—Request burst
- **short**—Short grant burst
- **station**—Station ranging burst

## Modulation Profiles Example

In Cisco IOS Release 12.1(3a)EC1 and later, the Cisco CMTS has one preconfigured modulation profile resident in memory, which defines a typical profile for QPSK modulation. To use the Dynamic Upstream Modulation feature, a second profile must be created that is unique from the first profile, and typically provides a higher, more robust modulation scheme.

The following example is a modulation profile for QAM-16, in which the initial, request, and station maintenance messages are sent as QPSK, and the short and long data packets are sent as QAM-16. The QAM-16 modulation is more bandwidth-efficient than QPSK, but QPSK is more robust than QAM-16.



### Note

The upstream request and station maintenance messages use less time on the cable network when configured in QPSK for symbol rates of 640K, 1280K, and 2560K symbols/sec. Thus, these messages are actually more efficient when used in QPSK mode and they ensure a more reliable modem connection. The upstream initial maintenance message takes exactly the same amount of time on the cable network, no matter how it is configured. Modems connect more quickly and experience fewer cycles of power adjustment during initial maintenance if the system is set for QPSK.

```
Router# configure terminal
Router(config)# cable modulation-profile 2 request 0 16 1 8 qpsk scrambler
152 no-diff 64 fixed uw16
Router(config)# cable modulation-profile 2 initial 5 34 0 48 qpsk scrambler
152 no-diff 128 fixed uw16
Router(config)# cable modulation-profile 2 station 5 34 0 48 qpsk scrambler
152 no-diff 128 fixed uw16
Router(config)# cable modulation-profile 2 short 6 75 6 8 16qam scrambler 152
no-diff 72 fixed uw16
Router(config)# cable modulation-profile 2 long 8 220 0 8 16qam scrambler 152
no-diff 160 fixed uw16
```

In the following example, all message types are carried with QAM-16 modulation. Although QAM-16 modulation offers a consistent modulation scheme for all five types of messages, the added length of the QAM-16 preamble offsets the increased bandwidth efficiency of the MAC data message for the station maintenance messages and bandwidth request messages.

```
Router# configure terminal
```

```

Router(config)# cable modulation-profile 2 request 0 16 1 8 16qam scrambler
152 no-diff 128 fixed uw16
Router(config)# cable modulation-profile 2 initial 5 34 0 48 16qam
scrambler 152 no-diff 256 fixed uw16
Router(config)# cable modulation-profile 2 station 5 34 0 48 16qam
scrambler 152 no-diff 256 fixed uw16
Router(config)# cable modulation-profile 2 short 5 75 6 8 16qam scrambler
152 no-diff 144 fixed uw16
Router(config)# cable modulation-profile 2 long 8 220 0 8 16qam scrambler
152 no-diff 160 fixed uw16

```

**Note**

When using DOCSIS concatenation with a 16-QAM or mixed symbol rate, configure the CMTS for Unique Word 16 (“uw16”) in the preamble for both short and long data burst profiles.

Add the **cable upstream port-number modulation-profile primary profile-number secondary profile-number** command to the appropriate interfaces. In this example, modulation profile 2 is for QAM-16 modulation and profile 1 is for QPSK modulation.

```

Router# configure terminal
Router(config)# interface Cable6/0
Router(config-if)# cable upstream 0 modulation-profile 2 1

```

## Input Power Level Example

In the following example, the modem transmit power at 24.8 MHz is adjusted upstream by 1 dBmV and the modem transmit power at 28.0 MHz is adjusted upstream by 2 dBmV.

```

CMTS01(config)# cable spectrum-group 1 frequency 21600000
CMTS01(config)# cable spectrum-group 1 frequency 24800000 1
CMTS01(config)# cable spectrum-group 1 frequency 28000000 2

```

## Advanced Spectrum Management Configuration Examples

This section provides the following typical configurations:

- [Advanced Spectrum Management for the Cisco uBR7200 Series Router Example, page 17-69](#)
- [Advanced Spectrum Management for the Cisco uBR10012 Router Example, page 17-73](#)

### Advanced Spectrum Management for the Cisco uBR7200 Series Router Example

This section provides a typical configuration example for a Cisco uBR7200 series router using the Cisco uBR-MC16U cable interface line card. This configuration does the following:

- Creates three spectrum groups with different frequency bands, hop periods, and hop thresholds.
- Creates two upstream modulation profiles, one for QPSK operation and one for QAM-16 operation, by specifying the parameters for each burst type.
- Creates two upstream modulation profiles, one for QPSK operation and one for mixed QPSK/QAM-16 operation, using the default profile options (**qpsk** and **mix**).
- Configures one upstream (port 5) on cable interface 3/0 to use spectrum group 3.
- Configures the upstreams with the primary modulation profile set to mixed QPSK/QAM-16 operation and the secondary modulation profile set for QPSK operation.

- Configures the upstream so that when its noise threshold is reached, it first attempts to change the frequency, then the channel-width, and finally to switch the modulation profile (using the Dynamic Upstream Modulation feature).

```

!
version 12.3
no service pad
no service password-encryption
service udp-small-servers
service tcp-small-servers
!
hostname ubr7200
!
!
! Define a frequency band for a 1.6 MHz channel around center frequency of 20.800 MHz
cable spectrum-group 1 band 19750000 21850000 0
! Define a frequency band for a 1.6 MHz channel around center frequency of 23.200 MHz
cable spectrum-group 1 band 22150000 24250000 0
! Hop period set to 30 sec to avoid modems going offline before initiating a hop priority
cable spectrum-group 1 hop period 30
! Percentage of missed station maintenance from modems
cable spectrum-group 1 hop threshold 20
!
cable modulation-profile 1 initial 5 34 0 48 qpsk scrambler 152 no-diff 128 fixed uw16
cable modulation-profile 1 station 5 34 0 48 qpsk scrambler 152 no-diff 128 fixed uw16

! Create second modulation profile numbered 4
cable modulation-profile 4 request 0 16 0 8 qpsk scrambler 152 no-diff 64 fixed uw16
cable modulation-profile 4 initial 5 34 0 48 qpsk scrambler 152 no-diff 128 fixed uw16
cable modulation-profile 4 station 5 34 0 48 qpsk scrambler 152 no-diff 128 fixed uw16
cable modulation-profile 4 short 6 75 6 8 16qam scrambler 152 no-diff 144 shortened uw16
cable modulation-profile 4 long 8 220 0 8 16qam scrambler 152 no-diff 160 shortened uw16

! Create two modulation profiles using the default QPSK and QPSK/16-QAM profiles
cable modulation-profile 3 qpsk
cable modulation-profile 5 mix
!
no cable qos permission create
no cable qos permission update
cable qos permission modems
cable time-server
clock calendar-valid
no ip subnet-zero
no ip domain-lookup
!
!
!
interface FastEthernet0/0
no ip address
no ip mroute-cache
shutdown
media-type MII
full-duplex
!
interface Ethernet1/0
ip address 10.11.10.1 255.0.0.0
no ip mroute-cache
half-duplex
!

interface Cable3/0
ip address 255.255.255.0 secondary
ip address 255.255.255.0
no keepalive

```

```

cable map-advance static
cable bundle 1 master
cable downstream annex B
cable downstream modulation 64qam
cable downstream interleave-depth 32
cable downstream frequency 687000000
! Assign upstream to spectrum group
cable upstream 0 spectrum-group 1
! Set channel-width to be fixed at 1.6 MHz
cable upstream 0 channel-width 1600000 1600000
! Set priority of corrective actions
cable upstream 0 hop-priority frequency channel-width modulation
! Set the thresholds for corrective action
cable upstream 0 threshold cnr-profiles 23 15
cable upstream 0 threshold Corr-Fec 5
cable upstream 0 threshold Uncorr-Fec 2
! Assign modulation profiles to upstream port in order of preference
cable upstream 0 modulation-profile 5 1
no cable upstream 0 concatenation
no cable upstream 0 shutdown
cable upstream 1 spectrum-group 1
cable upstream 1 channel-width 1600000 1600000
cable upstream 1 hop-priority frequency channel-width modulation
cable upstream 1 threshold cnr-profiles 23 15
cable upstream 0 threshold Corr-Fec 5
cable upstream 0 threshold Uncorr-Fec 2
cable upstream 1 modulation-profile 5 1
no cable upstream 1 concatenation
no cable upstream 1 shutdown
cable upstream 2 spectrum-group 1
cable upstream 2 channel-width 1600000 1600000
cable upstream 2 hop-priority frequency channel-width modulation
cable upstream 2 threshold cnr-profiles 23 15
cable upstream 0 threshold Corr-Fec 5
cable upstream 0 threshold Uncorr-Fec 2
cable upstream 2 modulation-profile 5 1
no cable upstream 2 concatenation
no cable upstream 2 shutdown
cable upstream 3 spectrum-group 1
cable upstream 3 channel-width 1600000 1600000
cable upstream 3 hop-priority frequency channel-width modulation
cable upstream 3 threshold cnr-profiles 23 15
cable upstream 0 threshold Corr-Fec 5
cable upstream 0 threshold Uncorr-Fec 2
cable upstream 3 modulation-profile 5 1
no cable upstream 3 concatenation
no cable upstream 3 shutdown
cable upstream 4 spectrum-group 1
cable upstream 4 channel-width 1600000 1600000
cable upstream 4 hop-priority frequency channel-width modulation
cable upstream 4 threshold cnr-profiles 23 15
cable upstream 0 threshold Corr-Fec 5
cable upstream 0 threshold Uncorr-Fec 2
cable upstream 4 modulation-profile 5 1
no cable upstream 4 concatenation
no cable upstream 4 shutdown
cable upstream 5 spectrum-group 1
cable upstream 5 channel-width 1600000 1600000
cable upstream 5 hop-priority frequency channel-width modulation
cable upstream 5 threshold cnr-profiles 23 15
cable upstream 0 threshold Corr-Fec 5
cable upstream 0 threshold Uncorr-Fec 2
cable upstream 5 modulation-profile 5 1
no cable upstream 5 concatenation

```

```

no cable upstream 5 shutdown
no cable dci-response
cable dhcp-giaddr policy
!
interface Cable4/0
no ip address
no keepalive
cable map-advance static
cable bundle 1
cable downstream annex B
cable downstream modulation 64qam
cable downstream interleave-depth 32
cable downstream frequency 687000000
cable upstream 0 spectrum-group 1
cable upstream 0 channel-width 1600000 1600000
cable upstream 0 hop-priority frequency channel-width modulation
cable upstream 5 threshold cnr-profiles 23 15
cable upstream 0 threshold Corr-Fec 5
cable upstream 0 threshold Uncorr-Fec 2
cable upstream 0 modulation-profile 5 1
no cable upstream 0 concatenation
no cable upstream 0 shutdown
cable upstream 1 spectrum-group 1
cable upstream 1 channel-width 1600000 1600000
cable upstream 1 hop-priority frequency channel-width modulation
cable upstream 5 threshold cnr-profiles 23 15
cable upstream 0 threshold Corr-Fec 5
cable upstream 0 threshold Uncorr-Fec 2
cable upstream 1 modulation-profile 5 1
no cable upstream 1 concatenation
no cable upstream 1 shutdown
cable upstream 2 spectrum-group 1
cable upstream 2 channel-width 1600000 1600000
cable upstream 2 hop-priority frequency channel-width modulation
cable upstream 5 threshold cnr-profiles 23 15
cable upstream 0 threshold Corr-Fec 5
cable upstream 0 threshold Uncorr-Fec 2
cable upstream 2 modulation-profile 5 1
no cable upstream 2 concatenation
no cable upstream 2 shutdown
cable upstream 3 spectrum-group 1
cable upstream 3 channel-width 1600000 1600000
cable upstream 3 hop-priority frequency channel-width modulation
cable upstream 5 threshold cnr-profiles 23 15
cable upstream 0 threshold Corr-Fec 5
cable upstream 0 threshold Uncorr-Fec 2
cable upstream 3 modulation-profile 5 1
no cable upstream 3 concatenation
no cable upstream 3 shutdown
cable upstream 4 spectrum-group 1
cable upstream 4 channel-width 1600000 1600000
cable upstream 4 hop-priority frequency channel-width modulation
cable upstream 5 threshold cnr-profiles 23 15
cable upstream 0 threshold Corr-Fec 5
cable upstream 4 threshold Uncorr-Fec 2
cable upstream 4 modulation-profile 5 1
no cable upstream 4 concatenation
no cable upstream 4 shutdown
cable upstream 5 spectrum-group 1
cable upstream 5 channel-width 1600000 1600000
cable upstream 5 hop-priority frequency channel-width modulation
cable upstream 5 threshold cnr-profiles 23 15
cable upstream 0 threshold Corr-Fec 5
cable upstream 0 threshold Uncorr-Fec 2

```

```

cable upstream 5 modulation-profile 5 1
no cable upstream 5 concatenation
no cable upstream 5 shutdown
no cable dci-response
cable dhcp-giaddr primary
!
ip default-gateway 10.11.0.1
ip classless
ip route 10.11.254.254 255.255.255.255 10.11.0.1
no ip http server
!
!
snmp-server engineID local 00000009020000D0CAA7BB00
snmp-server community private RW
snmp-server trap-source FastEthernet0/0
snmp-server packet-size 2048
snmp-server system-shutdown
snmp-server enable traps cable hopping
snmp-server manager
!
!
line con 0
 exec-timeout 0 0
 transport input none
line aux 0
line vty 0 4
 no login
!
end

```

## Advanced Spectrum Management for the Cisco uBR10012 Router Example

This section provides an excerpt from a typical configuration example for a Cisco uBR10012 router using the Cisco uBR10-MC5X20S/U/H cable interface line card. This configuration does the following:

- Configures four spectrum groups with a hop period of 30 seconds.
- Creates a QPSK modulation profile and assigns it to four upstreams on the Cisco uBR-MC5X20S/U/H cable interface line card in slot 6/1/0.
- Assigns a spectrum group to each of the four upstreams.
- Configures each upstream for the default CNR and FEC thresholds.

Current configuration : 4899 bytes

```

!
version 12.3
no service pad
service timestamps debug uptime
service timestamps log uptime
no service password-encryption
service internal
!
hostname UBR10012
!
no logging rate-limit
!
redundancy
 main-cpu
 auto-sync standard
card 1/0 1gigetherenet-1
card 1/1 2cable-tccplus

```

```

card 4/0 loc12pos-1
card 6/1 5cable-mc520u-d
card 7/0 5cable-mc520u-d
card 8/0 5cable-mc520u-d
card 8/1 5cable-mc520u-d
cable spectrum-group 1 hop period 30
cable spectrum-group 1 band 6000000 11000000
cable spectrum-group 2 hop period 30
cable spectrum-group 2 band 12000000 17000000
cable spectrum-group 3 hop period 30
cable spectrum-group 3 band 18000000 23000000
cable spectrum-group 4 hop period 30
cable spectrum-group 4 band 24000000 31000000
cable modulation-profile 2 qpsk
interface Cable6/1/0
 ip address 10.55.0.1 255.255.0.0
 cable downstream annex B
 cable downstream modulation 64qam
 cable downstream interleave-depth 32
! upstream 0
 cable upstream 0 spectrum-group 1
 cable upstream 0 modulation-profile 2
 cable upstream 0 threshold cnr-profiles 16 5
 cable upstream 0 threshold Corr-Fec 1
 cable upstream 0 threshold Uncorr-Fec 2
 no cable upstream 0 shutdown
! upstream 1
 cable upstream 1 spectrum-group 2
 cable upstream 1 modulation-profile 2
 cable upstream 0 threshold cnr-profiles 16 5
 cable upstream 0 threshold Corr-Fec 1
 cable upstream 0 threshold Uncorr-Fec 2
 no cable upstream 1 shutdown
! upstream 2
 cable upstream 2 spectrum-group 3
 cable upstream 2 modulation-profile 2
 cable upstream 0 threshold cnr-profiles 16 5
 cable upstream 0 threshold Corr-Fec 1
 cable upstream 0 threshold Uncorr-Fec 2
 no cable upstream 2 shutdown
! upstream 3
 cable upstream 3 spectrum-group 4
 cable upstream 3 modulation-profile 2
 cable upstream 0 threshold cnr-profiles 16 5
 cable upstream 0 threshold Corr-Fec 1
 cable upstream 0 threshold Uncorr-Fec 2
 no cable upstream 3 shutdown

```

## Additional References

The following sections provide references related to Spectrum Management and Advanced Spectrum Management for the Cisco CMTS routers.

### Related Documents

| Related Topic                            | Document Title                                                                                                                                                                                                                                                                                                                                                                                                                                                                                                                                                                                                                                                                                                                                   |
|------------------------------------------|--------------------------------------------------------------------------------------------------------------------------------------------------------------------------------------------------------------------------------------------------------------------------------------------------------------------------------------------------------------------------------------------------------------------------------------------------------------------------------------------------------------------------------------------------------------------------------------------------------------------------------------------------------------------------------------------------------------------------------------------------|
| CMTS Command Reference                   | <i>Cisco Broadband Cable Command Reference Guide.</i>                                                                                                                                                                                                                                                                                                                                                                                                                                                                                                                                                                                                                                                                                            |
| Cisco IOS Release 12.2 Command Reference | Cisco IOS Release 12.2 Configuration Guides and Command References, at the following URL:<br><br><a href="http://www.cisco.com/en/US/products/sw/iosswrel/ps1835/products_installation_and_configuration_guides_list.html">http://www.cisco.com/en/US/products/sw/iosswrel/ps1835/products_installation_and_configuration_guides_list.html</a><br><a href="http://www.cisco.com/en/US/products/sw/iosswrel/ps1835/prod_command_reference_list.html">http://www.cisco.com/en/US/products/sw/iosswrel/ps1835/prod_command_reference_list.html</a>                                                                                                                                                                                                  |
| Cable Features Configuration Guide       | <i>Cisco CMTS Feature Guide</i>                                                                                                                                                                                                                                                                                                                                                                                                                                                                                                                                                                                                                                                                                                                  |
| Installing Cisco uBR7100 series routers  | <i>Cisco uBR7100 Series Universal Broadband Router Hardware Installation Guide</i>                                                                                                                                                                                                                                                                                                                                                                                                                                                                                                                                                                                                                                                               |
| Configuring Cisco uBR7100 series routers | <i>Cisco uBR7100 Series Universal Broadband Router Software Configuration Guide</i>                                                                                                                                                                                                                                                                                                                                                                                                                                                                                                                                                                                                                                                              |
| Installing Cisco uBR7200 Series Routers  | <i>Cisco uBR7200 Series Universal Broadband Router Hardware Installation Guide</i><br><br><i>Cisco uBR7200 Series Universal Broadband Router Cable Modem Card Installation and Configuration</i><br><br><i>Cisco uBR7200 Series Universal Broadband Router Port Adapter Installation and Configuration</i><br><br><i>Cisco uBR7200 Series Universal Broadband Router 550-Watt DC-Input Power Supply Replacement Instructions</i><br><br><i>Cisco uBR7200 Series Universal Broadband Router Subchassis and Midplane Replacement Instructions</i><br><br><i>Cisco uBR7200 Series Rack-Mount and Cable-Management Kit Installation Instructions</i><br><br><i>Cisco uBR7200 Series Universal Broadband Router Fan Tray Replacement Instructions</i> |
| Configuring Cisco uBR7200 Series Routers | <i>Cisco uBR7200 Series Universal Broadband Router Software Configuration Guide</i><br><br>Cisco uBR7200 Series Universal Broadband Router Feature Roadmap                                                                                                                                                                                                                                                                                                                                                                                                                                                                                                                                                                                       |

| Related Topic                         | Document Title                                                                                                                                                                                                                                                                                                                                                                                                                                                                                                                                                                                                                                                                                                                      |
|---------------------------------------|-------------------------------------------------------------------------------------------------------------------------------------------------------------------------------------------------------------------------------------------------------------------------------------------------------------------------------------------------------------------------------------------------------------------------------------------------------------------------------------------------------------------------------------------------------------------------------------------------------------------------------------------------------------------------------------------------------------------------------------|
| Installing Cisco uBR10012 Router      | <p><i>Cisco uBR10012 Series Universal Broadband Router Hardware Installation Guide</i></p> <p><i>2400W AC-Input Power Shelf for the Cisco uBR10000 Series Universal Broadband Router</i></p> <p><i>Cable Interface Line Card Processor Hardware Installation for the Cisco uBR10000 Series Universal Broadband Router</i></p> <p><i>Fan Assembly Module for the Cisco uBR10000 Series Universal Broadband Router</i></p> <p><i>DC Power Entry Module for the Cisco uBR10000 Series Universal Broadband Router</i></p> <p><i>Performance Routing Engine Card Hardware Installation for the Cisco uBR10000 Series Universal Broadband Router</i></p> <p><i>TCC+ Card for the Cisco uBR10000 Series Universal Broadband Router</i></p> |
| Configuring the Cisco uBR10012 Router | <p><i>Cisco uBR10012 Universal Broadband Router Software Configuration Guide</i></p>                                                                                                                                                                                                                                                                                                                                                                                                                                                                                                                                                                                                                                                |

## Standards

| Standards                              | Title                                                                                                           |
|----------------------------------------|-----------------------------------------------------------------------------------------------------------------|
| <a href="#">SP-RFIV1.1-I09-020830</a>  | Data-over-Cable Service Interface Specifications Radio Frequency Interface Specification, version 1.1           |
| <a href="#">SP-RFIV2.0-I03-021218</a>  | Data-over-Cable Service Interface Specifications Radio Frequency Interface Specification, version 2.0           |
| <a href="#">SP-OSSIV2.0-I03-021218</a> | Data-over-Cable Service Interface Specifications Operations Support System Interface Specification, version 2.0 |
| <a href="#">SP-BPI+-I09-020830</a>     | Data-over-Cable Service Interface Specifications Baseline Privacy Plus Interface Specification, version 2.0     |

## MIBs

| MIBs                                     | MIBs Link                                                                                                                                                                                                                  |
|------------------------------------------|----------------------------------------------------------------------------------------------------------------------------------------------------------------------------------------------------------------------------|
| <a href="#">CISCO-CABLE-SPECTRUM-MIB</a> | To locate and download MIBs for selected platforms, Cisco IOS releases, and feature sets, use Cisco MIB Locator found at the following URL:<br><br><a href="http://www.cisco.com/go/mibs">http://www.cisco.com/go/mibs</a> |

## RFCs

| RFC                                                                                                                         | Title |
|-----------------------------------------------------------------------------------------------------------------------------|-------|
| No new or modified RFCs are supported by this feature, and support for existing RFCs has not been modified by this feature. | —     |

## Technical Assistance

| Description                                                                                                                                                                                                                                                                                                                                                                                                                                                                                                                                                             | Link                                                                    |
|-------------------------------------------------------------------------------------------------------------------------------------------------------------------------------------------------------------------------------------------------------------------------------------------------------------------------------------------------------------------------------------------------------------------------------------------------------------------------------------------------------------------------------------------------------------------------|-------------------------------------------------------------------------|
| <p>The Cisco Support website provides extensive online resources, including documentation and tools for troubleshooting and resolving technical issues with Cisco products and technologies.</p> <p>To receive security and technical information about your products, you can subscribe to various services, such as the Product Alert Tool (accessed from Field Notices), the Cisco Technical Services Newsletter, and Really Simple Syndication (RSS) Feeds.</p> <p>Access to most tools on the Cisco Support website requires a Cisco.com user ID and password.</p> | <a href="http://www.cisco.com/support">http://www.cisco.com/support</a> |

Cisco and the Cisco logo are trademarks or registered trademarks of Cisco and/or its affiliates in the U.S. and other countries. To view a list of Cisco trademarks, go to this URL: [www.cisco.com/go/trademarks](http://www.cisco.com/go/trademarks). Third-party trademarks mentioned are the property of their respective owners. The use of the word partner does not imply a partnership relationship between Cisco and any other company. (1110R)

Any Internet Protocol (IP) addresses used in this document are not intended to be actual addresses. Any examples, command display output, and figures included in the document are shown for illustrative purposes only. Any use of actual IP addresses in illustrative content is unintentional and coincidental.

© 2009 Cisco Systems, Inc. All rights reserved.