



## Configuring PFC3BXL or PFC3B Mode MPLS QoS

This chapter describes how to configure PFC3BXL or PFC3B mode Multiprotocol Label Switching (MPLS) quality of service (QoS) on the Cisco 7600 series routers.



### Note

- For complete syntax and usage information for the commands used in this chapter, refer to the *Cisco IOS Master Command List*, Release 12.2SX at this URL:  
[http://www.cisco.com/en/US/docs/ios/mcl/122sxmcl/12\\_2sx\\_mcl\\_book.html](http://www.cisco.com/en/US/docs/ios/mcl/122sxmcl/12_2sx_mcl_book.html)
- PFC3BXL or PFC3B mode MPLS QoS extends to MPLS traffic the PFC QoS features described in [Chapter 41, “Configuring PFC QoS.”](#)
- This chapter provides supplemental information on PFC3BXL or PFC3B mode MPLS QoS features. Be sure that you understand the PFC QoS features before you read this chapter.
- All policing and marking available for PFC3BXL or PFC3B mode MPLS QoS are managed from the modular QoS command-line interface (CLI). The modular QoS CLI (MQC) is a command-line interface that allows you to define traffic classes, create and configure traffic policies (policy maps), and then attach those traffic policies to interfaces. A detailed description of the modular QoS CLI can be found in the *Cisco IOS Quality of Service Solutions Configuration Guide, Release 12.2* at this URL:  
[http://www.cisco.com/en/US/docs/ios/12\\_2/qos/configuration/guide/fqos\\_c.html](http://www.cisco.com/en/US/docs/ios/12_2/qos/configuration/guide/fqos_c.html)

This chapter contains these sections:

- [Terminology, page 42-2](#)
- [PFC3BXL or PFC3B Mode MPLS QoS Features, page 42-3](#)
- [PFC3BXL or PFC3B Mode MPLS QoS Overview, page 42-5](#)
- [PFC3BXL or PFC3B Mode MPLS QoS, page 42-5](#)
- [Understanding PFC3BXL or PFC3B Mode MPLS QoS, page 42-8](#)
- [PFC3BXL or PFC3B MPLS QoS Default Configuration, page 42-15](#)
- [MPLS QoS Commands, page 42-16](#)
- [PFC3BXL or PFC3B Mode MPLS QoS Restrictions and Guidelines, page 42-17](#)
- [Configuring PFC3BXL or PFC3B Mode MPLS QoS, page 42-18](#)
- [MPLS DiffServ Tunneling Modes, page 42-32](#)

- [Configuring Short Pipe Mode, page 42-35](#)
- [Configuring Uniform Mode, page 42-40](#)

**Tip**

For additional information (including configuration examples and troubleshooting information), see the documents listed on this page:

[http://www.cisco.com/en/US/products/hw/routers/ps368/tsd\\_products\\_support\\_series\\_home.html](http://www.cisco.com/en/US/products/hw/routers/ps368/tsd_products_support_series_home.html)

## Terminology

This section defines some MPLS QoS terminology:

- *Class of Service (CoS)* refers to three bits in either an Inter-Switch Link (ISL) header or an 802.1Q header that are used to indicate the priority of the Ethernet frame as it passes through a switched network. The CoS bits in the 802.1Q header are commonly referred to as the 802.1p bits. To maintain QoS when a packet traverses both Layer 2 and Layer 3 domains, the type of service (ToS) and CoS values can be mapped to each other.
- *Classification* is the process used for selecting traffic to be marked for QoS.
- *Differentiated Services Code Point (DSCP)* is the first six bits of the ToS byte in the IP header. DSCP is only present in an IP packet.
- *E-LSP* is a label switched path (LSP) on which nodes infer the QoS treatment for MPLS packets exclusively from the experimental (EXP) bits in the MPLS header. Because the QoS treatment is inferred from the EXP (both class and drop precedence), several classes of traffic can be multiplexed onto a single LSP (use the same label). A single LSP can support up to eight classes of traffic because the EXP field is a 3-bit field. The maximum number of classes would be less after reserving some values for control plane traffic or if some of the classes have a drop precedence associated with them.
- *EXP bits* define the QoS treatment (per-hop behavior) that a node should give to a packet. It is the equivalent of the DiffServ Code Point (DSCP) in the IP network. A DSCP defines a class and drop precedence. The EXP bits are generally used to carry all the information encoded in the IP DSCP. In some cases, however, the EXP bits are used exclusively to encode the dropping precedence.
- *Frames* carry traffic at Layer 2. Layer 2 frames carry Layer 3 packets.
- *IP precedence* is the three most significant bits of the ToS byte in the IP header.
- *QoS tags* are prioritization values carried in Layer 3 packets and Layer 2 frames. A Layer 2 CoS label can have a value ranging between zero for low priority and seven for high priority. A Layer 3 IP precedence label can have a value ranging between zero for low priority and seven for high priority. IP precedence values are defined by the three most significant bits of the 1-byte ToS byte. A Layer 3 DSCP label can have a value between 0 and 63. DSCP values are defined by the six most significant bits of the 1-byte IP ToS field.
- *LERs* (label edge routers) are devices that impose and dispose of labels upon packets; also referred to as Provider Edge (PE) routers.
- *LSRs* (label switching routers) are devices that forward traffic based upon labels present in a packet; also referred to as Provider (P) routers.
- *Marking* is the process of setting a Layer 3 DSCP value in a packet. Marking is also the process of choosing different values for the MPLS EXP field to mark packets so that they have the priority that they require during periods of congestion.

- *Packets* carry traffic at Layer 3.
- *Policing* is limiting bandwidth used by a flow of traffic. Policing can mark or drop traffic.

## PFC3BXL or PFC3B Mode MPLS QoS Features

QoS enables a network to provide improved service to selected network traffic. This section explains the following PFC3BXL or PFC3B mode MPLS QoS features, which are supported in an MPLS network:

- [MPLS Experimental Field, page 42-3](#)
- [Trust, page 42-3](#)
- [Classification, page 42-3](#)
- [Policing and Marking, page 42-4](#)
- [Preserving IP ToS, page 42-4](#)
- [EXP Mutation, page 42-4](#)
- [MPLS DiffServ Tunneling Modes, page 42-4](#)

### MPLS Experimental Field

Setting the MPLS experimental (EXP) field value satisfies the requirement of service providers who do not want the value of the IP precedence field modified within IP packets transported through their networks.

By choosing different values for the MPLS EXP field, you can mark packets so that packets have the priority that they require during periods of congestion.

By default, the IP precedence value is copied into the MPLS EXP field during imposition. You can mark the MPLS EXP bits with a PFC3BXL or PFC3B mode MPLS QoS policy.

### Trust

For received Layer 3 MPLS packets, the PFC3BXL or PFC3B usually trusts the EXP value in the received topmost label. None of the following have any effect on MPLS packets:

- Interface trust state
- Port CoS value
- Policy-map **trust** command

For received Layer 2 MPLS packets, the PFC3BXL or PFC3B can either trust the EXP value in the received topmost label or apply port trust or policy trust to the MPLS packets for CoS and egress queueing purposes.

### Classification

Classification is the process that selects the traffic to be marked. Classification accomplishes this by partitioning traffic into multiple priority levels, or classes of service. Traffic classification is the primary component of class-based QoS provisioning. The PFC3BXL or PFC3B make classification decisions

based on the EXP bits in the received topmost label of received MPLS packets (after a policy is installed). See the [“Configuring a Class Map to Classify MPLS Packets”](#) section on page 42-20 for information.

## Policing and Marking

Policing causes traffic that exceeds the configured rate to be discarded or marked down to a higher drop precedence. Marking is a way to identify packet flows to differentiate them. Packet marking allows you to partition your network into multiple priority levels or classes of service.

The PFC3BXL or PFC3B mode MPLS QoS policing and marking features that you can implement depend on the received traffic type and the forwarding operation applied to the traffic. See [“Configuring a Policy Map”](#) section on page 42-23 for information.

## Preserving IP ToS

The PFC3BXL or PFC3B automatically preserves the IP ToS during all MPLS operations including imposition, swapping, and disposition. You do not need to enter a command to save the IP ToS.

## EXP Mutation

You can configure a named egress EXP mutation map to mutate the internal DSCP-derived EXP value before it is used as the egress EXP value. You can attach egress EXP mutation maps to these interface types:

- Optical service module (OSM) ports
- LAN or OSM port subinterfaces
- Layer 3 VLAN interfaces
- Layer 3 LAN ports

You cannot attach EXP mutation maps to these interface types:

- Layer 2 LAN ports (switchports)
- FlexWAN ports or subinterfaces

For configuration information, see the [“Configuring PFC3BXL or PFC3B Mode MPLS QoS Egress EXP Mutation”](#) section on page 42-29.

## MPLS DiffServ Tunneling Modes

The PFC3BXL or PFC3B uses MPLS DiffServ tunneling modes. Tunneling provides QoS transparency from one edge of a network to the other edge of the network. See the [“MPLS DiffServ Tunneling Modes”](#) section on page 42-32 for information.

## PFC3BXL or PFC3B Mode MPLS QoS Overview

PFC3BXL or PFC3B mode MPLS QoS enables network administrators to provide differentiated types of service across an MPLS network. Differentiated service satisfies a range of requirements by supplying for each transmitted packet the service specified for that packet by its QoS. Service can be specified in different ways, for example, using the IP precedence bit settings in IP packets.

### Specifying the QoS in the IP Precedence Field

When you send IP packets from one site to another, the IP precedence field (the first three bits of the DSCP field in the header of an IP packet) specifies the QoS. Based on the IP precedence marking, the packet is given the treatment configured for that quality of service. If the service provider network is an MPLS network, then the IP precedence bits are copied into the MPLS EXP field at the edge of the network. However, the service provider might want to set QoS for an MPLS packet to a different value determined by the service offering.

In that case, the service provider can set the MPLS EXP field. The IP header remains available for the customer's use; the QoS of an IP packet is not changed as the packet travels through the MPLS network.

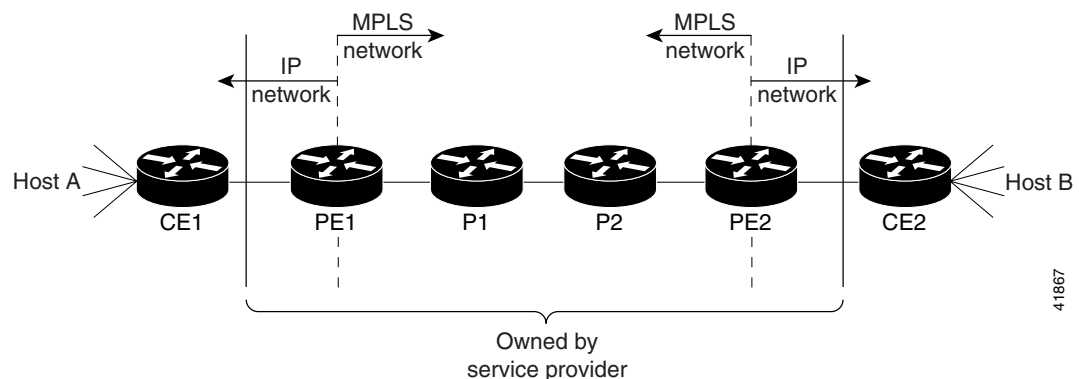
For more information, see the [“MPLS DiffServ Tunneling Modes”](#) section on page 42-32.

## PFC3BXL or PFC3B Mode MPLS QoS

This section describes how PFC3BXL or PFC3B mode MPLS QoS works.

[Figure 42-1](#) shows an MPLS network of a service provider that connects two sites of a customer network.

**Figure 42-1** MPLS Network Connecting Two Sites of a Customer's IP Network



The network is bidirectional, but for the purpose of this document the packets move left to right.

In [Figure 42-1](#), the symbols have the following meanings:

- CE1—Customer equipment 1
- PE1—Service provider ingress label edge router (LER)
- P1—Label switch router (LSR) within the core of the network of the service provider
- P2—LSR within the core of the network of the service provider

- PE2—service provider egress LER
- CE2—Customer equipment 2

**Note**


---

PE1 and PE2 are at the boundaries between the MPLS network and the IP network.

---

These sections describe LER and LSR operation in an MPLS network.

- [LERs at the Input Edge of an MPLS Network, page 42-6](#)
- [LSRs in the Core of an MPLS Network, page 42-7](#)
- [LERs at the Output Edge of an MPLS Network, page 42-7](#)

**Note**


---

The QoS capabilities at the input interface differ depending on whether the input interface is a LAN port, a WAN port on an OSM, or a port adapter on a FlexWAN or Enhanced FlexWAN module. This section is for LAN ports. For information on OSMs, see the *OSM Configuration Note, 12.2SX*. For information on a FlexWAN or Enhanced FlexWAN module, see the *FlexWAN and Enhanced FlexWAN Installation and Configuration Note*.

---

## LERs at the Input Edge of an MPLS Network

**Note**


---

Incoming labels are aggregate or nonaggregate. The aggregate label indicates that the arriving MPLS or MPLS VPN packet must be switched through an IP lookup to find the next hop and the outgoing interface. The nonaggregate label indicates that the packet contains the IP next hop information.

---

This section describes how edge LERs can operate at either the ingress or the egress side of an MPLS network.

At the ingress side of an MPLS network, LERs process packets as follows:

1. Layer 2 or Layer 3 traffic enters the edge of the MPLS network at the edge LER (PE1).
2. The PFC3BXL or PFC3B receives the traffic from the input interface and uses the 802.1p bits or the IP ToS bits to determine the EXP bits and to perform any classification, marking, and policing. For classification of incoming IP packets, the input service policy can also use access control lists (ACLs).
3. For each incoming packet, the PFC3BXL or PFC3B performs a lookup on the IP address to determine the next-hop router.
4. The appropriate label is pushed (imposition) into the packet, and the EXP value resulting from the QoS decision is copied into the MPLS EXP field in the label header.
5. The PFC3BXL or PFC3B forwards the labeled packets to the appropriate output interface for processing.
6. The PFC3BXL or PFC3B also forwards the 802.1p bits or the IP ToS bits to the output interface.
7. At the output interface, the labeled packets are differentiated by class for marking or policing. For LAN interfaces, egress classification is still based on IP, not on MPLS.
8. The labeled packets (marked by EXP) are sent to the core MPLS network.

## LSRs in the Core of an MPLS Network

This section describes how LSRs used at the core of an MPLS network process packets:

1. Incoming MPLS-labeled packets (and 802.1p bits or IP ToS bits) from an edge LER (or other core device) arrive at the core LSR.
2. The PFC3BXL or PFC3B receives the traffic from the input interface and uses the EXP bits to perform classification, marking, and policing.
3. The PFC3BXL or PFC3B performs a table lookup to determine the next-hop LSR.
4. An appropriate label is placed (swapped) into the packet and the MPLS EXP bits are copied into the label header.
5. The PFC3BXL or PFC3B forwards the labeled packets to the appropriate output interface for processing.
6. The PFC3BXL or PFC3B also forwards the 802.1p bits or the IP ToS bits to the output interface.
7. The outbound packet is differentiated by the MPLS EXP field for marking or policing.
8. The labeled packets (marked with EXP) are sent to another LSR in the core MPLS network or to an LER at the output edge.

**Note**

Within the service provider network, there is no IP precedence field for the queueing algorithm to use because the packets are MPLS packets. The packets remain MPLS packets until they arrive at PE2, the provider edge router.

## LERs at the Output Edge of an MPLS Network

At the egress side of an MPLS network, LERs process packets as follows:

1. MPLS-labeled packets (and 802.1p bits or IP ToS bits) from a core LSR arrive at the egress LER (PE2) from the MPLS network backbone.
2. The PFC3BXL or PFC3B pops the MPLS labels (disposition) from the packets. Aggregate labels are classified using the original 802.1p bits or the IP ToS bits. Nonaggregate labels are classified with the EXP value by default.
3. For aggregate labels, the PFC3BXL or PFC3B performs a lookup on the IP address to determine the packet's destination; the PFC3BXL or PFC3B then forwards the packet to the appropriate output interface for processing. For non-aggregate labels, forwarding is based on the label. By default, non-aggregate labels are popped at the penultimate-hop router (next to last), not the egress PE router.
4. The PFC3BXL or PFC3B also forwards the 802.1p bits or the IP ToS bits to the output interface.
5. The packets are differentiated according to the 802.1p bits or the IP ToS bits and treated accordingly.

**Note**

The MPLS EXP bits allow you to specify the QoS for an MPLS packet. The IP precedence and DSCP bits allow you to specify the QoS for an IP packet.

## Understanding PFC3BXL or PFC3B Mode MPLS QoS

PFC3BXL or PFC3B mode MPLS QoS supports IP QoS. For MPLS packets, the EXP value is mapped into an internal DSCP so that the PFC3BXL or PFC3B can apply non-MPLS QoS marking and policing.

For both the ingress and egress policies, PFC3BXL or PFC3B mode MPLS QoS marking and policing decisions are made on a per-interface basis at an ingress PFC3BXL or PFC3B. The ingress interfaces are physical ports, subinterfaces, or VLANs.

The QoS policy ACLs are programmed in QoS TCAM separately for ingress and egress lookup. The ternary content addressable memory (TCAM) egress lookup takes place after the IP forwarding table (FIB) and NetFlow lookups are completed.

The results of each QoS TCAM lookup yield an index into RAM that contains policer configuration and policing counters. Additional RAM contains the microflow policer configuration; the microflow policing counters are maintained in the respective NetFlow entries that match the QoS ACL.

The results of ingress and egress aggregate and microflow policing are combined into a final policing decision. The out-of-profile packets can be either dropped or marked down in the DSCP.

This section describes PFC3BXL or PFC3B mode MPLS QoS for the following:

- [LERs at the EoMPLS Edge, page 42-8](#)
- [LERs at the IP Edge \(MPLS, MPLS VPN\), page 42-9](#)
- [LSRs at the MPLS Core, page 42-13](#)



### Note

The following sections refer to QoS features for LAN ports, OSM ports, and FlexWAN ports. For details about how the different features work, refer to the appropriate documentation.

## LERs at the EoMPLS Edge

This section summarizes the Ethernet over MPLS (EoMPLS) QoS features that function on the LERs. EoMPLS QoS support is similar to IP-to-MPLS QoS:

- For EoMPLS, if the port is untrusted, the CoS trust state is automatically configured for VC type 4 (VLAN mode), not for VC type 5 (port mode). 802.1q CoS preservation across the tunnel is similar.
- Packets received on tunnel ingress are treated as untrusted for EoMPLS interfaces, except for VC Type 4 where trust CoS is automatically configured on the ingress port and policy marking is not applied.
- If the ingress port is configured as trusted, packets received on an EoMPLS interface are never marked by QoS policy in the original IP packet header (marking by IP policy works on untrusted ports).
- 802.1p CoS is preserved from entrance to exit, if available through the 802.1q header.
- After exiting the tunnel egress, queuing is based on preserved 802.1p CoS if 1p tag has been tunnelled in the EoMPLS header (VC type 4); otherwise, queuing is based on the CoS derived from the QoS decision.

## Ethernet to MPLS

For Ethernet to MPLS, the ingress interface, PFC3BXL or PFC3B mode MPLS QoS, and egress interface features are similar to corresponding features for IP to MPLS. For more information, see these sections:

- [Classification for IP-to-MPLS, page 42-9](#)
- [Classification for IP-to-MPLS PFC3BXL or PFC3B Mode MPLS QoS, page 42-10](#)
- [Classification at IP-to-MPLS Ingress Port, page 42-10](#)
- [Classification at IP-to-MPLS Egress Port, page 42-10](#)

## MPLS to Ethernet

For MPLS to Ethernet, the ingress interface, PFC3BXL or PFC3B mode MPLS QoS, and egress interface features are similar to corresponding features for MPLS to IP except for the case of EoMPLS decapsulation where egress IP policy cannot be applied (packets can be classified as MPLS only). For more information, see these sections:

- [Classification for MPLS-to-IP, page 42-11](#)
- [Classification for MPLS-to-IP PFC3BXL or PFC3B Mode MPLS QoS, page 42-12](#)
- [Classification at MPLS-to-IP Ingress Port, page 42-12](#)
- [Classification at MPLS-to-IP Egress Port, page 42-12.](#)

## LERs at the IP Edge (MPLS, MPLS VPN)

This section provides information about QoS features for LERs at the ingress (CE-to-PE) and egress (PE-to-CE) edges for MPLS and MPLS VPN networks. Both MPLS and MPLS VPN support general MPLS QoS features. See the [“MPLS VPN” section on page 42-12](#) for additional MPLS VPN-specific QoS information.

## IP to MPLS

The PFC3BXL or PFC3B provides the following MPLS QoS capabilities at the IP-to-MPLS edge:

- Assigning an EXP value based on the **mls qos trust** or **policy-map** command
- Marking an EXP value using a policy
- Policing traffic using a policy

This section provides information about the MPLS QoS classification that the PFC3BXL or PFC3B supports at the IP-to-MPLS edge. Additionally, this section provides information about the capabilities provided by the ingress and egress interface modules.

### Classification for IP-to-MPLS

The PFC3BXL or PFC3B ingress and egress policies for IP traffic classify traffic on the original received IP using **match** commands for IP precedence, IP DSCP, and IP ACLs. Egress policies do not classify traffic on the imposed EXP value nor on a marking done by an ingress policy.

After the PFC3BXL or PFC3B applies the port trust and QoS policies, it assigns the internal DSCP. The PFC3BXL or PFC3B then assigns the EXP value based on the internal DSCP-to-EXP global map for the labels that it imposes. If more than one label is imposed, the EXP value is the same in each label. The PFC3BXL or PFC3B preserves the original IP ToS when the MPLS labels are imposed.

The PFC3BXL or PFC3B assigns the egress CoS based on the internal DSCP-to-CoS global map. If the default internal DSCP-to-EXP and the internal DSCP-to-CoS maps are consistent, then the egress CoS has the same value as the imposed EXP.

If the ingress port receives both IP-to-IP and IP-to-MPLS traffic, classification should be used to separate the two types of traffic. For example, if the IP-to-IP and IP-to-MPLS traffic have different destination address ranges, you can classify traffic on the destination address, and then apply IP ToS policies to the IP-to-IP traffic and apply a policy (that marks or sets the EXP value in the imposed MPLS header) to the IP-to-MPLS traffic. See the following two examples:

- A PFC3BXL or PFC3B policy to mark IP ToS sets the internal DSCP—If it is applied to all traffic, then for IP-to-IP traffic, the egress port will rewrite the CoS (derived from the internal DSCP) to the IP ToS byte in the egress packet. For IP-to-MPLS traffic, the PFC3BXL or PFC3B will map the internal DSCP to the imposed EXP value.
- A PFC3BXL or PFC3B policy to mark MPLS EXP sets the internal DSCP—If it is applied to all traffic, then for IP-to-IP traffic, the egress port rewrites the IP ToS according to the ingress IP policy (or trust). The CoS is mapped from the ToS. For IP-to-MPLS traffic, the PFC3BXL or PFC3B will map the internal DSCP to the imposed EXP value.

### Classification for IP-to-MPLS PFC3BXL or PFC3B Mode MPLS QoS

PFC3BXL or PFC3B mode MPLS QoS at the ingress to PE1 supports:

- Matching on IP precedence or DSCP values or filtering with an access group
- The **set mpls experimental imposition** and **police** commands

PFC3BXL or PFC3B mode MPLS QoS at the egress of PE1 supports the **mpls experimental topmost** command.

### Classification at IP-to-MPLS Ingress Port

Classification for IP-to-MPLS is the same as for IP-to-IP. LAN port classification is based on the received Layer 2 802.1Q CoS value. OSM and FlexWAN interfaces classify based on information in the received Layer 3 IP header.

### Classification at IP-to-MPLS Egress Port

LAN port classification is based on the received EXP value and the egress CoS values is mapped from that value.

OSM and FlexWAN interfaces classify traffic when you use the **match mpls experimental** command to match on the egress CoS as a proxy for the EXP value. The **match mpls experimental** command does not match on the EXP value in the topmost label.

If the egress port is a trunk, the LAN ports and the OSM GE-WAN ports copy the egress CoS into the egress 802.1Q field.

## MPLS to IP

PFC3BXL or PFC3B mode MPLS QoS supports these capabilities at the MPLS-to-IP edge:

- Option to propagate EXP value into IP DSCP on exit from an MPLS domain per egress interface
- Option to use IP service policy on the MPLS-to-IP egress interface

This section provides information about the MPLS-to-IP MPLS QoS classification. Additionally, this section provides information about the capabilities provided by the ingress and egress modules.

### Classification for MPLS-to-IP

The PFC3BXL or PFC3B assigns the internal DSCP (internal priority that the PFC3BXL or PFC3B assigns to each frame) based on the QoS result. The QoS result is affected by the following:

- Default trust EXP value
- Label type (per-prefix or aggregate)
- Number of VPNs
- Explicit NULL use
- QoS policy

There are three different classification modes:

- Regular MPLS classification—For nonaggregate labels, in the absence of MPLS recirculation, the PFC3BXL or PFC3B classifies the packet based on MPLS EXP ingress or egress policy. The PFC3BXL queues the packet based on COS derived from EXP-to-DSCP-to-CoS mapping. The underlying IP DSCP is either preserved after egress decapsulation, or overwritten from the EXP (through the EXP-to-DSCP map).
- IP classification for aggregate label hits in VPN CAM—The PFC3BXL or PFC3B does one of the following:
  - Preserves the underlying IP ToS
  - Rewrites the IP ToS by a value derived from the EXP-to-DSCP global map
  - Changes the IP ToS to any value derived from the egress IP policy

In all cases, egress queueing is based on the final IP ToS from the DSCP-to-CoS map.

- IP classification with aggregate labels not in VPN CAM—After recirculation, the PFC3BXL or PFC3B differentiates the MPLS-to-IP packets from the regular IP-to-IP packets based on the ingress reserved VLAN specified in the MPLS decapsulation adjacency. The reserved VLAN is allocated per VRF both for VPN and non-VPN cases. The ingress ToS after recirculation can be either the original IP ToS value, or derived from the original EXP value. The egress IP policy can overwrite this ingress ToS to an arbitrary value.

**Note**

For information about recirculation, see the [“Recirculation” section on page 24-4](#).

For incoming MPLS packets on the PE-to-CE ingress, the PFC3BXL or PFC3B supports MPLS classification only. Ingress IP policies are not supported. PE-to-CE traffic from the MPLS core is classified or policed on egress as IP.

## Classification for MPLS-to-IP PFC3BXL or PFC3B Mode MPLS QoS

PFC3BXL or PFC3B mode MPLS QoS at the ingress to PE2 supports matching on the EXP value and the **police** command.

PFC3BXL or PFC3B mode MPLS QoS at the egress of PE2 supports matching on IP precedence or DSCP values or filtering with an access group and the **police** command.

## Classification at MPLS-to-IP Ingress Port

LAN port classification is based on the EXP value. OSM and FlexWAN interfaces classify traffic using the **match mpls experimental** command. The **match mpls experimental** command matches on the EXP value in the received topmost label.

## Classification at MPLS-to-IP Egress Port



### Note

The egress classification queuing is different for LAN and WAN ports.

Classification for MPLS-to-IP is the same as it is for IP-to-IP.

The LAN interface classification is based on the egress CoS. The OSM and WAN interfaces classify traffic on information in the transmitted IP header.



### Note

You can use PFC3BXL or PFC3B QoS features or OSM QoS features in an output policy; however, you cannot use both in the same output policy.

If the egress port is a trunk, the LAN ports and OSM GE-WAN ports copy the egress CoS into the egress 802.1Q field.



### Note

For MPLS to IP, egress IP ACL or QoS is not effective on the egress interface if the egress interface has MPLS IP (or tag IP) enabled. The exception is a VPN CAM hit, in which case the packet is classified on egress as IP.

## MPLS VPN

The information in this section also applies to an MPLS VPN network.

The following PE MPLS QoS features are supported for MPLS VPN:

- Classification, policing, or marking of CE-to-PE IP traffic through the VPN subinterface
- Per-VPN QoS (per-port, per-VLAN, or per-subinterface)

For customer edge (CE)-to-PE traffic, or for CE-to-PE-to-CE traffic, the subinterface support allows you to apply IP QoS ingress or egress policies to subinterfaces and to physical interfaces. Per-VPN policing is also provided for a specific interface or subinterface associated with a given VPN on the CE side.

In situations when there are multiple interfaces belonging to the same VPN, you can perform per-VPN policing aggregation using the same shared policer in the ingress or egress service policies for all similar interfaces associated with the same PFC3BXLs or PFC3Bs.

For aggregate VPN labels, the EXP propagation in recirculation case may not be supported because MPLS adjacency does not know which egress interface the final packet will use.

**Note**

For information on recirculation, see the [“Recirculation” section on page 24-4](#).

The PFC3BXL or PFC3B propagates the EXP value if all interfaces in the VPN have EXP propagation enabled.

The following PE MPLS QoS features are supported:

- General MPLS QoS features for IP packets
- Classification, policing, or marking of CE-to-PE IP traffic through the VPN subinterface
- Per-VPN QoS (per-port, per-VLAN, or per-subinterface)

## LSRs at the MPLS Core

This section provides information about MPLS QoS features for LSRs at the core (MPLS-to-MPLS) for MPLS and MPLS VPN networks. Ingress features, egress interface, and PFC3BXL or PFC3B features for Carrier Supporting Carrier (CsC) QoS features are similar to those used with MPLS to MPLS described in the next section. A difference between CsC and MPLS to MPLS is that with CsC labels can be imposed inside the MPLS domain.

## MPLS to MPLS

PFC3BXL or PFC3B mode MPLS QoS at the MPLS core supports the following:

- Per-EXP policing based on a service policy
- Copying the input topmost EXP value into the newly imposed EXP value
- Optional EXP mutation (changing of EXP values on an interface edge between two neighboring MPLS domains) on the egress boundary between MPLS domains
- Microflow policing based on individual label flows for a particular EXP value
- Optional propagation of topmost EXP value into the underlying EXP value when popping the topmost label from a multi-label stack.

The following section provides information about MPLS-to-MPLS PFC3BXL or PFC3B mode MPLS QoS classification. Additionally, the section provides information about the capabilities provided by the ingress and egress modules.

### Classification for MPLS-to-MPLS

For received MPLS packets, the PFC3BXL or PFC3B ignores the port trust state, the ingress CoS, and any policy-map **trust** commands. Instead, the PFC3BXL or PFC3B trusts the EXP value in the topmost label.

**Note**

The PFC3BXL or PFC3B mode MPLS QoS ingress and egress policies for MPLS traffic classify traffic on the EXP value in the received topmost label when you enter the **match mpls experimental** command.

PFC3BXL or PFC3B mode MPLS QoS maps the EXP value to the internal DSCP using the EXP-to-DSCP global map. What the PFC3BXL or PFC3B does next depends on whether it is swapping labels, imposing a new label, or popping a label:

- Swapping labels—When swapping labels, the PFC3BXL or PFC3B preserves the EXP value in the received topmost label and copies it to the EXP value in the outgoing topmost label. The PFC3BXL or PFC3B assigns the egress CoS using the internal DSCP-to-CoS global map. If the DSCP global maps are consistent, then the egress CoS is based on the EXP in the outgoing topmost label.

The PFC3BXL or PFC3B can mark down out-of-profile traffic using the **police** command's **exceed** and **violate** actions. It does not mark in-profile traffic, so the **conform** action must be transmitted and the **set** command cannot be used. If the PFC3BXL or PFC3B is performing a markdown, it uses the internal DSCP as an index into the internal DSCP markdown map. The PFC3BXL or PFC3B maps the result of the internal DSCP markdown to an EXP value using the internal DSCP-to-EXP global map. The PFC3BXL or PFC3B rewrites the new EXP value to the topmost outgoing label and does not copy the new EXP value to the other labels in the stack. The PFC3BXL or PFC3B assigns the egress CoS using the internal DSCP-to-CoS global map. If the DSCP maps are consistent, then the egress CoS is based on the EXP value in the topmost outgoing label.

- Imposing an additional label—When imposing a new label onto an existing label stack, the PFC3BXL or PFC3B maps the internal DSCP to the EXP value in the imposed label using the internal DSCP-to-EXP map. It then copies the EXP value in the imposed label to the underlying swapped label. The PFC3BXL or PFC3B assigns the egress CoS using the internal DSCP-to-CoS global map. If the DSCP maps are consistent, the egress CoS is based on the EXP value in the imposed label.

The PFC3BXL or PFC3B can mark in-profile and mark down out-of-profile traffic. After it marks the internal DSCP, the PFC3BXL or PFC3B uses the internal DSCP-to-EXP global map to map the internal DSCP to the EXP value in the newly imposed label. The PFC3BXL or PFC3B then copies the EXP in the imposed label to the underlying swapped label. The PFC3BXL or PFC3B assigns the egress CoS using the internal DSCP-to-CoS global map. Therefore, the egress CoS is based on the EXP in the imposed label.

- Popping a label—When popping a label from a multi-label stack, the PFC3BXL or PFC3B preserves the EXP value in the exposed label. The PFC3BXL or PFC3B assigns the egress CoS using the internal DSCP-to-CoS global map. If the DSCP maps are consistent, then the egress CoS is based on the EXP value in the popped label.
- If EXP propagation is configured for the egress interface, the PFC3BXL or PFC3B maps the internal DSCP to the EXP value in the exposed label using the DSCP-to-EXP global map. The PFC3BXL or PFC3B assigns the egress CoS using the internal DSCP-to-CoS global map. If the DSCP maps are consistent, the egress CoS is based on the EXP value in the exposed label.

### Classification for MPLS-to-MPLS PFC3BXL or PFC3B Mode MPLS QoS

PFC3BXL or PFC3B mode MPLS QoS at the ingress to P1 or P2 supports the following:

- Matching with the **mpls experimental topmost** command
- The **set mpls experimental imposition**, **police**, and **police** with **set imposition** commands

PFC3BXL or PFC3B mode MPLS QoS at the egress of P1 or P2 supports matching with the **mpls experimental topmost** command.

### Classification at MPLS-to-MPLS Ingress Port

LAN port classification is based on the egress CoS from the PFC3BXL or PFC3B. OSM and FlexWAN interfaces classify traffic using the **match mpls experimental** command. The **match mpls experimental** command matches on the EXP value in the received topmost label.

### Classification at MPLS-to-MPLS Egress Port

LAN port classification is based on the egress CoS value from the PFC3BXL or PFC3B. OSM and FlexWAN interfaces classify traffic using the **match mpls experimental** command. The **match mpls experimental** command matches on the egress CoS; it does not match on the EXP in the topmost label.

If the egress port is a trunk, the LAN ports and OSM GE-WAN ports copy the egress CoS into the egress 802.1Q field.

## PFC3BXL or PFC3B MPLS QoS Default Configuration

This section describes the PFC3BXL or PFC3B MPLS QoS default configuration. The following global PFC3BXL or PFC3B MPLS QoS settings apply:

| Feature                                       | Default Value   |
|---|---|
| PFC QoS global enable state                   | <p><b>Note</b> With PFC QoS disabled and all other PFC QoS parameters at default values, default EXP is mapped from IP precedence.</p> <p><b>Note</b> With PFC QoS enabled and all other PFC QoS parameters at default values, PFC QoS sets Layer 3 DSCP to zero (<b>untrusted</b> ports only), Layer 2 CoS to zero, the imposed EXP to zero in all traffic transmitted from LAN ports (default is untrusted). For trust CoS, the default EXP value is mapped from COS; for trust DSCP, the default EXP value is mapped from IP precedence. For OSM WAN ports, (default is trust DSCP) the DSCP is mapped to the imposed EXP.</p> |
| PFC QoS port enable state                     | Enabled when PFC QoS is globally enabled  |
| Port CoS value                                | 0   |
| Microflow policing                            | Enabled   |
| IntraVLAN microflow policing                  | Disabled  |
| Port-based or VLAN-based PFC QoS              | Port-based  |
| EXP to DSCP map<br>(DSCP set from EXP values) | EXP 0 = DSCP 0<br>EXP 1 = DSCP 8<br>EXP 2 = DSCP 16<br>EXP 3 = DSCP 24<br>EXP 4 = DSCP 32<br>EXP 5 = DSCP 40<br>EXP 6 = DSCP 48<br>EXP 7 = DSCP 56  |

| Feature   | Default Value  |
|---|--|
| IP precedence to DSCP map<br>(DSCP set from IP precedence values) | IP precedence 0 = DSCP 0<br>IP precedence 1 = DSCP 8<br>IP precedence 2 = DSCP 16<br>IP precedence 3 = DSCP 24<br>IP precedence 4 = DSCP 32<br>IP precedence 5 = DSCP 40<br>IP precedence 6 = DSCP 48<br>IP precedence 7 = DSCP 56   |
| DSCP to EXP map<br>(EXP set from DSCP values)                     | DSCP 0–7 = EXP 0<br>DSCP 8–15 = EXP 1<br>DSCP 16–23 = EXP 2<br>DSCP 24–31 = EXP 3<br>DSCP 32–39 = EXP 4<br>DSCP 40–47 = EXP 5<br>DSCP 48–55 = EXP 6<br>DSCP 56–63 = EXP 7  |
| Marked-down DSCP from DSCP map                                    | Marked-down DSCP value equals original DSCP value<br>(no mark down)  |
| EXP mutation map  | No mutation map by default   |
| Policers  | None   |
| Policy maps   | None   |
| MPLS flow mask in NetFlow table                                   | Label + EXP value  |
| MPLS core QoS   | <p>There are four possibilities at the MPLS core QoS:</p> <ul style="list-style-type: none"> <li>Swapping—Incoming EXP field is copied to outgoing EXP field.</li> <li>Swapping + imposition—Incoming EXP field is copied to both the swapped EXP field and the imposed EXP field.</li> </ul> <p><b>Note</b> If there is a service policy with a set for EXP field, its EXP field will be placed into the imposed label and also into the swapped label.</p> <ul style="list-style-type: none"> <li>Disposition of topmost label—Exposed EXP field is preserved.</li> <li>Disposition of only label—Exposed IP DSCP is preserved.</li> </ul> |
| MPLS to IP edge QoS   | Preserve the exposed IP DSCP   |

## MPLS QoS Commands

PFC3BXL or PFC3B MPLS QoS on the Cisco 7600 series routers supports the following MPLS QoS commands:

- **match mpls experimental topmost**
- **set mpls experimental imposition**

- **police**
- **mls qos map exp-dscp**
- **mls qos map dscp-exp**
- **mls qos map exp-mutation**
- **mls qos exp-mutation**
- **show mls qos mpls**
- **no mls qos mpls trust exp**

**Note**

For information about supported non-MPLS QoS commands, see [“Configuring PFC QoS” section on page 41-56](#).

The following commands are not supported:

- **set qos-group**
- **set discard-class**

## PFC3BXL or PFC3B Mode MPLS QoS Restrictions and Guidelines

When configuring PFC3BXL or PFC3B mode MPLS QoS, follow these guidelines and restrictions:

- For IP-to-MPLS or EoMPLS imposition when the received packet is an IP packet:
  - When QoS is disabled, the EXP value is based on the received IP ToS.
  - When QoS is queuing only, the EXP value is based on the received IP ToS.
- For EoMPLS imposition when the received packet is a non-IP packet:
  - When QoS is disabled, the EXP value is based on the ingress CoS.
  - When QoS is queuing only, the EXP value is based on the received IP ToS.
- For MPLS-to-MPLS operations:
  - Swapping when QoS is disabled, the EXP value is based on the original EXP value (in the absence of EXP mutation).
  - Swapping when QoS is queuing only, the EXP value is based on the original EXP value (in the absence of EXP mutation).
  - Imposing additional label when QoS is disabled, the EXP value is based on the original EXP value (in the absence of EXP mutation).
  - Imposing an additional label when QoS is queuing only, the EXP value is based on the original EXP value (in the absence of EXP mutation).
  - Popping one label when QoS is disabled, the EXP value is based on the underlying EXP value.
  - Popping one label when QoS is queuing only, the EXP value is based on the underlying EXP value.
- EXP value is irrelevant to MPLS-to-IP disposition.

- The **no mls qos rewrite ip dscp** command is incompatible with MPLS. The default **mls qos rewrite ip dscp** command must remain enabled in order for the PFC3BXL or PFC3B to assign the correct EXP value for the labels that it imposes.
- With Release 12.2(18)SXF2 and later releases, the **no mls qos mpls trust exp** command allows you to treat MPLS packets similarly to Layer 2 packets for CoS and egress queuing purposes by applying port trust or policy trust instead of the default EXP value.

## Configuring PFC3BXL or PFC3B Mode MPLS QoS

These sections describe how to configure PFC3BXL or PFC3B mode MPLS QoS:

- [Enabling QoS Globally, page 42-18](#)
- [Enabling Queueing-Only Mode, page 42-19](#)
- [Configuring a Class Map to Classify MPLS Packets, page 42-20](#)
- [Configuring the MPLS Packet Trust State on Ingress Ports, page 42-22](#)
- [Configuring a Policy Map, page 42-23](#)
- [Displaying a Policy Map, page 42-28](#)
- [Configuring PFC3BXL or PFC3B Mode MPLS QoS Egress EXP Mutation, page 42-29](#)
- [Configuring EXP Value Maps, page 42-31](#)

### Enabling QoS Globally

Before you can configure QoS on the PFC3BXL or PFC3B, you must enable the QoS functionality globally using the **mls qos** command. This command enables default QoS conditioning of traffic.

When the **mls qos** command is enabled, the PFC3BXL or PFC3B assigns a priority value to each frame. This value is the internal DSCP. The internal DSCP is assigned based on the contents of the received frame and the QoS configuration. This value is rewritten to the egress frame's CoS and ToS fields.

To enable QoS globally, perform this task:

|               | Command                           | Purpose                                  |
|---------------|-----------------------------------|--|
| <b>Step 1</b> | Router(config)# <b>mls qos</b>    | Enables PFC QoS globally on the router.  |
|               | Router(config)# <b>no mls qos</b> | Disables PFC QoS globally on the router. |
| <b>Step 2</b> | Router(config)# <b>end</b>        | Exits configuration mode.                |
| <b>Step 3</b> | Router# <b>show mls qos</b>       | Verifies the configuration.              |

This example shows how to enable QoS globally:

```
Router(config)# mls qos
Router(config)# end
Router#
```

This example shows how to verify the configuration:

```
Router# show mls qos
QoS is enabled globally
  Microflow policing is enabled globally
  QoS ip packet dscp rewrite enabled globally

QoS trust state is DSCP on the following interfaces:
  Gi4/1 Gi4/1.12

QoS trust state is IP Precedence on the following interfaces:
  Gi4/2 Gi4/2.42
Vlan or Portchannel(Multi-Earl) policies supported: Yes
Egress policies supported: Yes

----- Module [5] -----
QoS global counters:
  Total packets: 5957870
  IP shortcut packets: 0
  Packets dropped by policing: 0
  IP packets with TOS changed by policing: 6
  IP packets with COS changed by policing: 0
  Non-IP packets with COS changed by policing: 3
  MPLS packets with EXP changed by policing: 0
```

## Enabling Queueing-Only Mode

To enable queueing-only mode, perform this task:

|        | Command   | Purpose   |
|--------|---|---|
| Step 1 | Router(config)# <b>mls qos queueing-only</b>    | Enables queueing-only mode.   |
|        | Router(config)# <b>no mls qos queueing-only</b> | Disables PFC QoS globally.<br><b>Note</b> You cannot disable queueing-only mode separately. |
| Step 2 | Router(config)# <b>end</b>                      | Exits configuration mode.   |
| Step 3 | Router# <b>show mls qos</b>                     | Verifies the configuration.   |

When you enable queueing-only mode, the router does the following:

- Disables marking and policing globally
- Configures all ports to trust Layer 2 CoS



**Note** The router applies the port CoS value to untagged ingress traffic and to traffic that is received through ports that cannot be configured to trust CoS.

This example shows how to enable queueing-only mode:

```
Router# configure terminal
Router(config)# mls qos queueing-only
Router(config)# end
Router#
```

## Restrictions and Usage Guidelines

If QoS is disabled (**no mls qos**) for the PFC3BXL or PFC3B, the EXP value is determined as follows:

- For IP-to-MPLS or EoMPLS imposition when the received packet is an IP packet:
  - When QoS is disabled (**no mls qos**), the EXP value is based on the received IP ToS.
  - When QoS is queuing only (**mls qos queuing-only**), the EXP value is based on the received IP ToS.
- For EoMPLS imposition when the received packet is a non-IP packet:
  - When QoS is disabled, the EXP value is based on the ingress CoS.
  - When QoS is queuing only, the EXP value is based on the received IP ToS.
- For MPLS-to-MPLS operations:
  - Swapping when QoS is disabled, the EXP value is based on the original EXP value (in the absence of EXP mutation).
  - Swapping when QoS is queuing only, the EXP value is based on the original EXP value (in the absence of EXP mutation).
  - Imposing an additional label when QoS is disabled, the EXP value is based on the original EXP value (in the absence of EXP mutation).
  - Imposing additional label when QoS is queuing only, the EXP value is based on the original EXP value (in the absence of EXP mutation).
  - Popping one label when QoS is disabled, the EXP value is based on the underlying EXP value.
  - Popping one label when QoS is queuing only, the EXP value is based on the underlying EXP value.
- EXP value is irrelevant to MPLS-to-IP disposition.

## Configuring a Class Map to Classify MPLS Packets

You can use the **match mpls experimental topmost** command to define traffic classes inside the MPLS domain by packet EXP values. This allows you to define service policies to police the EXP traffic on a per-interface basis by using the **police** command.

To configure a class map, perform this task beginning in global configuration mode:

|        | Command  | Purpose   |
|--------|--|---|
| Step 1 | Router(config)# <b>class-map</b> <i>class_name</i>                       | Specifies the class map to which packets will be matched.               |
| Step 2 | Router(config-cmap)# <b>match mpls experimental topmost</b> <i>value</i> | Specifies the packet characteristics that will be matched to the class. |
| Step 3 | Router(config-cmap)# <b>exit</b>   | Exits class-map configuration mode.                                     |

This example shows that all packets that contain MPLS experimental value 3 are matched by the traffic class named exp3:

```

Router# configure terminal
Enter configuration commands, one per line.  End with CNTL/Z.
Router(config)# class-map exp3
Router(config-cmap)# match mpls experimental topmost 3
Router(config-cmap)# exit
Router(config)# policy-map exp3
Router(config-pmap)# class exp3
Router(config-pmap-c)# police 1000000 8000000 conform-action transmit exceed-action drop
Router(config-pmap-c)# exit
Router(config-pmap)# end
Router# show class exp3
  Class Map match-all exp3 (id 61)
    Match mpls experimental topmost 3
Router# show policy-map exp3
  Policy Map exp3
    Class exp3
      police cir 1000000 bc 8000000 be 8000000 conform-action transmit exceed-action drop
Router# show running-config interface fastethernet 3/27
Building configuration...

Current configuration : 173 bytes
!
interface FastEthernet3/27
  ip address 47.0.0.1 255.0.0.0
  tag-switching ip
end

Router# configure terminal
Enter configuration commands, one per line.  End with CNTL/Z.
Router(config)# interface fastethernet 3/27
Router(config-if)# service-policy input exp3
Router(config-if)#
Router#
Enter configuration commands, one per line.  End with CNTL/Z.
Router# show running-config interface fastethernet 3/27
Building configuration...

Current configuration : 173 bytes
!
interface FastEthernet3/27
  ip address 47.0.0.1 255.0.0.0
  tag-switching ip
  service-policy input exp3
end

Router#
lw4d: %SYS-5-CONFIG_I: Configured from console by console
Router# show mls qos mpls
QoS Summary [MPLS]:          (* - shared aggregates, Mod - switch module)

      Int Mod Dir  Class-map DSCP  Agg  Trust Fl  AgForward-By  AgPoliced-By
      -----
      Fa3/27  5  In    exp3      0    2   dscp  0             0             0

      All  5  -    Default  0    0*  No   0             3466140423    0
Router# show policy-map interface fastethernet 3/27
FastEthernet3/27

  Service-policy input: exp3

```

```

class-map: exp3 (match-all)
  Match: mpls experimental topmost 3
  police :
    1000000 bps 8000000 limit 8000000 extended limit
  Earl in slot 5 :
    0 bytes
    5 minute offered rate 0 bps
    aggregate-forwarded 0 bytes action: transmit
    exceeded 0 bytes action: drop
    aggregate-forward 0 bps exceed 0 bps

Class-map: class-default (match-any)
  0 packets, 0 bytes
  5 minute offered rate 0 bps, drop rate 0 bps
  Match: any

```

```
Router# configure terminal
```

```
Enter configuration commands, one per line. End with CNTL/Z.
```

```
Router(config)# interface fastethernet 3/27
```

```
Router(config-if)# service-policy output ip2tag
```

```
Router(config-if)# end
```

```
Router# show mls qos ip
```

```
QoS Summary [IPv4]: (* - shared aggregates, Mod - switch module)
```

| Int    | Mod | Dir | Class-map | DSCP | Agg Id | Trust | Fl Id | AgForward-By | AgPoliced-By |
|--------|-----|-----|-----------|------|--------|-------|-------|--------------|--------------|
| Vl300  | 5   | In  | x         | 44   | 1      | No    | 0     | 0            | 0            |
| Fa3/27 | 5   | Out | iptcp     | 24   | 2      | --    | 0     | 0            | 0            |
| All    | 5   | -   | Default   | 0    | 0*     | No    | 0     | 3466610741   | 0            |

## Restrictions and Usage Guidelines

The following restrictions and guidelines apply when classifying MPLS packets:

- The **match mpls experimental** command specifies the name of an EXP field value to be used as the match criterion against which packets are checked to determine if they belong to the class specified by the class map.
- To use the **match mpls experimental** command, you must first enter the **class-map** command to specify the name of the class whose match criteria you want to establish. After you identify the class, you can use the **match mpls experimental** command to configure its match criteria.
- If you specify more than one command in a class map, only the last command entered applies. The last command overrides the previously entered commands.

## Configuring the MPLS Packet Trust State on Ingress Ports

You can use the **no mls qos mpls trust exp** command to apply port or policy trust to MPLS packets in the same way that you apply them to Layer 2 packets.

To configure the MPLS packet trust state of an ingress port, perform this task:

|        | Command   | Purpose   |
|--------|---|---|
| Step 1 | Router(config)# <b>interface</b> {{type slot/port}   {port-channel number}} | Selects the interface to configure.   |
| Step 2 | Router(config-if)# <b>no mls qos mpls trust exp</b>                         | Sets the trust state of an MPLS packet so that all trusted cases (trust cos, trust dscp, trust ip-precedence) are treated as trust-cos. |
|        | Router(config-if)# <b>mls qos mpls trust exp</b>                            | Reverts to the default trust state where only the EXP value in the incoming packet is trusted.  |
| Step 3 | Router(config-if)# <b>end</b>   | Exits interface configuration mode.   |
| Step 4 | Router# <b>show mls qos</b>   | Verifies the configuration.   |

This example shows how to set the trusted state of MPLS packets to untrusted so that the incoming MPLS packets operate like incoming Layer 2 packets.

```
Router(config)# interface fastethernet 3/27
Router(config-if)# no mls qos mpls trust exp
Router(config-if)#
```

## Restrictions and Usage Guidelines

The following restrictions and guidelines apply when using the **no mls qos mpls trust exp** command to configure the MPLS packet trust state on input ports:

- This command affects both Layer 2 and Layer 3 packets; use this command only on interfaces with Layer 2 switched packets.
- The **no mls qos mpls trust exp** command affects ingress marking; it does not affect classification.

## Configuring a Policy Map

You can attach only one policy map to an interface. Policy maps can contain one or more policy map classes, each with different policy map commands.

Configure a separate policy map class in the policy map for each type of traffic that an interface receives. Put all commands for each type of traffic in the same policy map class. PFC3BXL or PFC3B MPLS QoS does not attempt to apply commands from more than one policy map class to matched traffic.

## Configuring a Policy Map to Set the EXP Value on All Imposed Labels

To set the value of the MPLS EXP field on all imposed label entries, use the **set mpls experimental imposition** command in QoS policy-map class configuration mode. To disable the setting, use the no form of this command.



### Note

The **set mpls experimental imposition** command replaces the **set mpls experimental** command.

|        | Command  | Purpose   |
|--------|--|---|
| Step 1 | Router(config)# <b>policy-map</b> <i>policy_name</i>   | Creates a policy map.   |
| Step 2 | Router(config-pmap)# <b>class-map</b> <i>name</i> [ <b>match-all</b>   <b>match-any</b> ]  | Accesses the QoS class-map configuration mode to configure QoS class maps.        |
| Step 3 | Router(config-pmap-c)# <b>set mpls experimental imposition</b> { <i>mpls-exp-value</i>   <i>from-field</i> [ <b>table</b> <i>table-map-name</i> ]} | Sets the value of the MPLS experimental (EXP) field on all imposed label entries. |
| Step 4 | Router(config-pmap-c)# <b>exit</b>   | Exits class-map configuration mode.   |

The following example sets the MPLS EXP imposition value according to the DSCP value defined in the MPLS EXP value 3.

```

Router# configure terminal
Enter configuration commands, one per line. End with CNTL/Z.
Router(config)# access-l 101 p tcp any any
Router(config)# class-map iptcp
Router(config-cmap)# match acc 101
Router(config-cmap)# exit
Router(config)#
Router(config-cmap)# policy-map ip2tag
Router(config-pmap)# class iptcp
Router(config-pmap-c)# set mpls exp imposition 3
Router(config-pmap-c)# exit
Router(config-pmap)# exit
Router(config)#
Router#
1w4d: %SYS-5-CONFIG_I: Configured from console by console
Router#
Router# show policy-map ip2tag
  Policy Map ip2tag
    Class iptcp
      set mpls experimental imposition 3
Router# show class iptcp
  Class Map match-all iptcp (id 62)
    Match access-group101

Router# configure terminal
Enter configuration commands, one per line. End with CNTL/Z.
Router(config)# interface fastethernet 3/27
Router(config-if)# ser in ip2tag
Router(config-if)#
Routers
1w4d: %SYS-5-CONFIG_I: Configured from console by console
Router# show pol ip2tag
  Policy Map ip2tag
    Class iptcp
      set mpls experimental imposition 3
Router# show class-map iptcp
  Class Map match-all iptcp (id 62)
    Match access-group 101

Router# show access-l 101
Extended IP access list 101
  10 permit tcp any any

```

```
Router# show mls qos ip
QoS Summary [IPv4]: (* - shared aggregates, Mod - switch module)

      Int Mod Dir  Class-map DSCP  Agg  Trust Fl  AgForward-By  AgPoliced-By
      -----
      Fa3/27  5  In    iptcp   24   2    No  0             0             0
      Vl300   5  In     x     44   1    No  0             0             0

      All  5  -    Default  0   0*   No  0           3466448105    0
```

```
Router#
Router# show policy-map interface fastethernet 3/27
FastEthernet3/27
```

```
Service-policy input: ip2tag

class-map: iptcp (match-all)
  Match: access-group 101
  set mpls experimental 3:
  Earl in slot 5 :
    0 bytes
    5 minute offered rate 0 bps
    aggregate-forwarded 0 bytes

class-map: class-default (match-any)
  Match: any

Class-map: class-default (match-any)
  0 packets, 0 bytes
  5 minute offered rate 0 bps, drop rate 0 bps
  Match: any
```

This example shows how to verify the configuration:

```
Router# show policy map ip2tag
Policy Map ip2tag
Class iptcp
  set mpls experimental imposition 3
```

## EXP Value Imposition Guidelines and Restrictions

When setting the EXP value on all imposed labels, follow these guidelines and restrictions:

- Use the **set mpls experimental imposition** command during label imposition. This command sets the MPLS EXP field on all imposed label entries.
- The **set mpls experimental imposition** command is supported only on input interfaces (imposition).
- The **set mpls experimental imposition** command does not mark the EXP value directly; instead, it marks the internal DSCP that is mapped to EXP through the internal DSCP-to-EXP global map.
- It is important to note that classification (based on the original received IP header) and marking (done to the internal DSCP) do not distinguish between IP-to-IP traffic and IP-to-MPLS traffic. The commands that you use to mark IP ToS and mark EXP have the same result as when you mark the internal DSCP.
- To set the pushed label entry value to a value different from the default value during label imposition, use the **set mpls experimental imposition** command.

- You optionally can use the **set mpls experimental imposition** command with the IP precedence, DSCP field, or QoS IP ACL to set the value of the MPLS EXP field on all imposed label entries.
- When imposing labels onto the received IP traffic with the PFC3BXL or PFC3B, you can mark the EXP field using the **set mpls experimental imposition** command.

For more information on this command, see the *Cisco IOS Switching Services Command Reference, Release 12.3* located at this URL:

[http://www.cisco.com/en/US/docs/ios/mps/command/reference/mp\\_s1.html#set\\_mpls\\_experimental\\_imposition](http://www.cisco.com/en/US/docs/ios/mps/command/reference/mp_s1.html#set_mpls_experimental_imposition)

## Configuring a Policy Map Using the Police Command

Policing is a function in the PFC3BXL or PFC3B hardware that provides the ability to rate limit a particular traffic class to a specific rate. The PFC3BXL or PFC3B supports aggregate policing and microflow policing.

Aggregate policing meters all traffic that ingresses into a port, regardless of different source, destination, protocol, source port, or destination port. Microflow policing meters all traffic that ingresses into a port, on a per flow (per source, destination, protocol, source port, and destination port). For additional information on aggregate and microflow policing, see the “Policers” section on page 41-20.

To configure traffic policing, use the **police** command. For information on this command, see the *Cisco IOS Master Command List, Release 12.2SX*.

|        | Command   | Purpose  |
|--------|---|--|
| Step 1 | Router(config)# <b>policy-map</b> <i>policy_name</i>  | Creates a policy map.  |
| Step 2 | Router(config-pmap)# <b>class-map</b> <i>name</i> [ <b>match-all</b>   <b>match-any</b> ]   | Accesses the QoS class map configuration mode to configure QoS class maps. |
| Step 3 | Router(config-pmap-c)# <b>police</b> { <i>aggregate name</i> }  | Adds the class to a shared aggregate policer.                              |
| Step 4 | Router(config-pmap-c)# <b>police</b> <i>bps burst_normal burst_max conform-action action exceed-action action violate-action action</i>                 | Creates a per-class-per-interface policer.                                 |
| Step 5 | Router(config-pmap-c)# <b>police flow</b> { <i>bps [burst_normal]</i>   [ <b>conform-action</b> <i>action</i> ] [ <b>exceed-action</b> <i>action</i> ]} | Creates an ingress flow policer. (Not supported in egress policy.)         |
| Step 6 | Router(config-pmap-c)# <b>exit</b>  | Exits class-map configuration mode.  |

This is an example of creating a policy map with a policer:

```
Router(config)# policy-map ip2tag
Router(config-pmap)# class iptcp
Router(config-pmap-c)# no set mpls exp topmost 3
Router(config-pmap-c)# police 1000000 1000000 c set-mpls-exp?
set-mpls-exp-imposition-transmit

Router(config-pmap-c)# police 1000000 1000000 c set-mpls-exp-imposit 3 e d
Router(config-pmap-c)# exit
Router(config-pmap)# exit
Router(config)# interface fastethernet 3/27
Router(config-if)# ser in ip2tag
Router(config-if)#
```

This is an example of verifying the configuration:

```
Router# show pol ip2tag
  Policy Map ip2tag
    Class iptcp
      police cir 1000000 bc 1000000 be 1000000 conform-action
set-mpls-exp-imposition-transmit 3 exceed-action drop
Router# show running-config interface fastethernet 3/27
Building configuration...

Current configuration : 202 bytes
!
interface FastEthernet3/27
  logging event link-status
  service-policy input ip2tag
end

Router# show mls qos ip
QoS Summary [IPv4]:      (* - shared aggregates, Mod - switch module)

      Int Mod Dir  Class-map DSCP  Agg  Trust Fl  AgForward-By  AgPoliced-By
      -----
      Fa3/27  5  In    iptcp   24   2    No  0           0             0
      Vl300   5  In     x     44   1    No  0           0             0

      All  5  -    Default  0   0*   No  0       3468105262     0
Router# show policy interface fastethernet 3/27
FastEthernet3/27

Service-policy input: ip2tag

class-map: iptcp (match-all)
  Match: access-group 101
  police :
    1000000 bps 1000000 limit 1000000 extended limit
  Earl in slot 5 :
    0 bytes
    5 minute offered rate 0 bps
    aggregate-forwarded 0 bytes action: set-mpls-exp-imposition-transmit
    exceeded 0 bytes action: drop
    aggregate-forward 0 bps exceed 0 bps

class-map: class-default (match-any)
  Match: any

Class-map: class-default (match-any)
  0 packets, 0 bytes
  5 minute offered rate 0 bps, drop rate 0 bps
  Match: any
R7# show mls qos ip
QoS Summary [IPv4]:      (* - shared aggregates, Mod - switch module)

      Int Mod Dir  Class-map DSCP  Agg  Trust Fl  AgForward-By  AgPoliced-By
      -----
      Fa3/27  5  In    iptcp   24   2    No  0           0             0
      Vl300   5  In     x     44   1    No  0           0             0

      All  5  -    Default  0   0*   No  0       3468161522     0
```

## Restrictions and Usage Guidelines

The following restrictions and guidelines apply when using the **police** command to configure a policy map:

- With MPLS, the **exceed-action** *action* command and the **violate-action** *action* command work similarly to IP usage. The packet may get dropped or the EXP value is marked down. For information on how these actions affect IP-to-IP traffic, see the “[Configuring a Policy Map](#)” section on page 41-74.
- With MPLS, the **set-dscp transmit** *action* command and the **set-prec-transmit** *action* command set the internal DSCP that is mapped into the CoS bits, which affects queuing, however, they do not change the EXP value, except for imposition.
- When swapping labels for received MPLS traffic with the PFC3BXL or PFC3B, you can mark down out-of-profile traffic using the **police** command **exceed-action policed-dscp-transmit** and **violate-action policed-dscp-transmit** keywords. The PFC3BXL or PFC3B does not mark in-profile traffic; when marking down out-of-profile traffic, the PFC3BXL or PFC3B marks the outgoing topmost label. The PFC3BXL or PFC3B does not propagate the marking down through the label stack.
- With MPLS, the flow key is based on the label and EXP value; there is no flowmask option. Otherwise, flow key operation is similar to IP-to-IP. See the “[Configuring a Policy Map](#)” section on page 41-74.
- You can use the **police** command to set the pushed label entry value to a value different from the default value during label imposition.
- When imposing labels onto the received IP traffic with the PFC3BXL or PFC3B, you can mark the EXP field using the **conform-action set-mpls-exp-imposition-transmit** keywords.
- During IP-to-MPLS imposition, IP ToS marking is not supported. If you configure a policy to mark IP ToS, the PFC3BXL or PFC3B marks the EXP value.

## Displaying a Policy Map

You can display a policy map with an interface summary for MPLS QoS classes or with the configuration of all classes configured for all service policies on the specified interface.

## Displaying a PFC3BXL or PFC3B Mode MPLS QoS Policy Map Class Summary

To display a PFC3BXL or PFC3B mode MPLS QoS policy map class summary, perform this task:

| Command  | Purpose   |
|--|---|
| Router# <b>show mls qos mpls</b> [{ <i>interface interface_type interface_number</i> }   { <i>module slot</i> }] | Displays a PFC3BXL or PFC3B mode MPLS QoS policy map class summary. |

This example shows how to display a PFC3BXL or PFC3B mode MPLS QoS policy map class summary:

```
Router# show mls qos mpls
QoS Summary [MPLS]:          (* - shared aggregates, Mod - switch module)
  Int Mod Dir  Class-map DSCP  Agg  Trust Fl  AgForward-By  AgPoliced-By
                               Id      Id
-----
  Fa3/27  5  In    exp3    0    2   dscp  0             0             0
        All  5  -    Default  0    0*   No   0             3466140423    0
```

## Displaying the Configuration of All Classes

To display the configuration of all classes configured for all service policies on the specified interface, perform this task:

| Command   | Purpose  |
|---|--|
| Router# <b>show policy interface</b> <i>interface_type</i><br><i>interface_number</i> | Displays the configuration of all classes configured for all policy maps on the specified interface. |

This example shows the configurations for all classes on Fast Ethernet interface 3/27:

```
Router# show policy interface fastethernet 3/27
FastEthernet3/27

Service-policy input: ip2tag

  class-map: iptcp (match-all)
    Match: access-group 101
    police :
      1000000 bps 1000000 limit 1000000 extended limit
    Earl in slot 5 :
      0 bytes
      5 minute offered rate 0 bps
      aggregate-forwarded 0 bytes action: set-mpls-exp-imposition-transmit
      exceeded 0 bytes action: drop
      aggregate-forward 0 bps exceed 0 bps

  class-map: class-default (match-any)
    Match: any

  Class-map: class-default (match-any)
    0 packets, 0 bytes
    5 minute offered rate 0 bps, drop rate 0 bps
    Match: any
```

## Configuring PFC3BXL or PFC3B Mode MPLS QoS Egress EXP Mutation

You can configure a named egress EXP mutation map to mutate the internal DSCP-derived EXP value before it is used as the egress EXP value. You can attach a named egress EXP mutation map to any interface on which PFC QoS supports egress QoS.

These sections describe how to configure PFC3BXL or PFC3B mode MPLS QoS egress EXP mutation:

- [Configuring Named EXP Mutation Maps, page 42-30](#)
- [Attaching an Egress EXP Mutation Map to an Interface, page 42-30](#)

## Configuring Named EXP Mutation Maps

To configure a named EXP mutation map, perform this task:

|               | Command  | Purpose  |
|---------------|--|--|
| <b>Step 1</b> | <pre>Router(config)# mls qos map exp-mutation name mutated_exp1 mutated_exp2 mutated_exp3 mutated_exp4 mutated_exp5 mutated_exp6 mutated_exp7 mutated_exp8  Router(config)# no mls qos map exp-mutation name</pre> | <p>Configures a named EXP mutation map.</p> <p>Reverts to the default map.</p> |
| <b>Step 2</b> | <pre>Router(config)# end</pre>   | Exits configuration mode.  |
| <b>Step 3</b> | <pre>Router# show mls qos maps</pre>   | Verifies the configuration.  |

When configuring a named EXP mutation map, note the following information:

- You can configure 7 named EXP mutation maps.
- You can enter up to eight EXP values that map to a mutated EXP value.
- You can enter multiple commands to map additional EXP values to a mutated EXP value.
- You can enter a separate command for each mutated EXP value.
- You can attach named EXP mutation maps to any interface on which PFC QoS supports egress QoS.

## Attaching an Egress EXP Mutation Map to an Interface

To attach an egress EXP mutation map to an interface, perform this task:

|               | Command  | Purpose  |
|---------------|--|--|
| <b>Step 1</b> | <pre>Router(config)# interface {{vlan vlan_ID}   {type<sup>1</sup> slot/port[.subinterface]}   {port-channel number[.subinterface]}}</pre> | Selects the interface to configure.  |
| <b>Step 2</b> | <pre>Router(config-if)# mls qos exp-mutation exp-mutation-table-name  Router(config-if)# no mls qos exp-mutation</pre>                     | <p>Attaches an egress EXP mutation map to the interface.</p> <p>Removes the egress DSCP mutation map from the interface.</p> |
| <b>Step 3</b> | <pre>Router(config-if)# end</pre>  | Exits configuration mode.  |
| <b>Step 4</b> | <pre>Router# show running-config interface {{vlan vlan_ID}   {type slot/port}   {port-channel number}}</pre>                               | Verifies the configuration.  |

1. *type* = ethernet, fastethernet, gigabitethernet, or tengigabitethernet

This example shows how to attach the egress EXP mutation map named mutemap2:

```
Router(config)# interface fastethernet 3/26
Router(config-if)# mls qos exp-mutation mutemap2
Router(config-if)# end
```

## Configuring EXP Value Maps

These sections describe how EXP values are mapped to other values:

- [Configuring an Ingress-EXP to Internal-DSCP Map, page 42-31](#)
- [Configuring a Named Egress-DSCP to Egress-EXP Map, page 42-31](#)

### Configuring an Ingress-EXP to Internal-DSCP Map

To configure an ingress-EXP to internal-DSCP map, perform this task:

|               | Command  | Purpose   |
|---------------|--|---|
| <b>Step 1</b> | Router(config)# <b>mls qos map exp-dscp values</b> | Configures the ingress-EXP value to internal-DSCP map. You must enter eight DSCP values corresponding to the EXP values. Valid values are 0 through 63. |
|               | Router(config)# <b>no mls qos map exp-dscp</b>     | Reverts to the default map.   |
| <b>Step 2</b> | Router(config)# <b>end</b>                         | Exits configuration mode.   |
| <b>Step 3</b> | Router# <b>show mls qos maps</b>                   | Verifies the configuration.   |

This example shows how to configure an ingress-EXP to internal-DSCP map:

```
Router(config)# mls qos map exp-dscp 43 43 43 43 43 43 43 43
Router(config)#
```

This example shows how to verify the configuration:

```
Router(config)# show mls qos map exp-dscp
Exp-dscp map:
  exp:   0  1  2  3  4  5  6  7
-----
  dscp: 43 43 43 43 43 43 43 43
```

### Configuring a Named Egress-DSCP to Egress-EXP Map

To configure a named egress-DSCP to egress-EXP map, perform this task:

|               | Command   | Purpose  |
|---------------|---|--|
| <b>Step 1</b> | Router(config)# <b>mls qos map dscp-exp dscp_values to exp_values</b> | Configures a named egress-DSCP to egress-EXP map. You can enter up to eight DSCP values at one time to a single EXP value. Valid values are 0 through 7. |
|               | Router(config)# <b>no mls qos map dscp-exp</b>                        | Reverts to the default map.  |
| <b>Step 2</b> | Router(config)# <b>end</b>  | Exits configuration mode.  |
| <b>Step 3</b> | Router# <b>show mls qos maps</b>                                      | Verifies the configuration.  |

This example shows how to configure a named egress-DSCP to egress-EXP map:

```
Router(config)# mls qos map dscp-exp 20 25 to 3
Router(config)#
```

# MPLS DiffServ Tunneling Modes

Tunneling provides QoS the ability to be transparent from one edge of a network to the other edge of the network. A tunnel starts where there is label imposition. A tunnel ends where there is label disposition; that is, where the label is removed from the stack, and the packet goes out as an MPLS packet with a different per-hop behavior (PHB) layer underneath or as an IP packet with the IP PHB layer.

For the PFC3BXL or PFC3B, there are two ways to forward packets through a network:

- **Short Pipe mode**—In Short Pipe mode, the egress PE router uses the original packet marking instead of the marking used by the intermediate provider (P) routers. EXP marking does not propagate to the packet ToS byte.

For a description of this mode, see the “[Short Pipe Mode](#)” section on page 42-32.

For the configuration information, see the “[Configuring Short Pipe Mode](#)” section on page 42-35.

- **Uniform mode**—In Uniform mode, the marking in the IP packet may be manipulated to reflect the service provider’s QoS marking in the core. This mode provides consistent QoS classification and marking throughout the network including CE and core routers. EXP marking is propagated to the underlying ToS byte.

For a description, see the “[Uniform Mode](#)” section on page 42-33.

For the configuration procedure, see the “[Configuring Uniform Mode](#)” section on page 42-40.

Both tunneling modes affect the behavior of edge and penultimate label switching routers (LSRs) where labels are put onto packets and removed from packets. They do not affect label swapping at intermediate routers. A service provider can choose different types of tunneling modes for each customer.

For additional information, see “MPLS DiffServ Tunneling Modes” at this URL:  
[http://www.cisco.com/en/US/docs/ios/12\\_2t/12\\_2t13/feature/guide/ftdmode.html](http://www.cisco.com/en/US/docs/ios/12_2t/12_2t13/feature/guide/ftdmode.html).

## Short Pipe Mode

Short pipe mode is used when the customer and service provider are in different DiffServ domains. It allows the service provider to enforce its own DiffServ policy while preserving customer DiffServ information, which provides a DiffServ transparency through the service provider network.

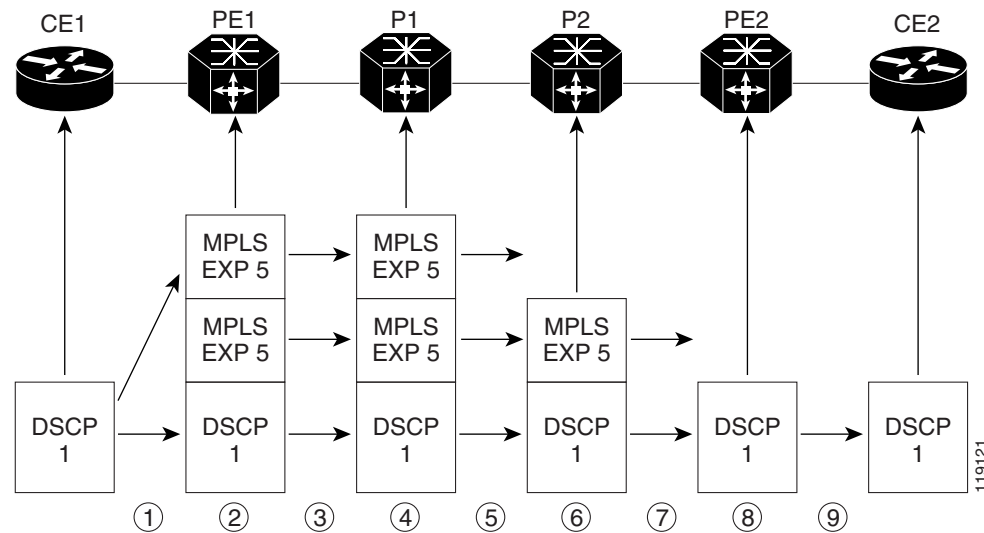
QoS policies implemented in the core do not propagate to the packet ToS byte. The classification based on MPLS EXP value ends at the customer-facing egress PE interface; classification at the customer-facing egress PE interface is based on the original IP packet header and not the MPLS header.



### Note

The presence of an egress IP policy (based on the customer’s PHB marking and not on the provider’s PHB marking) automatically implies the Short Pipe mode.

Figure 42-2 Short Pipe Mode Operation with VPNs



Short Pipe mode functions as follows:

1. CE1 transmits an IP packet to PE1 with an IP DSCP value of 1.
2. PE1 sets the MPLS EXP field to 5 in the imposed label entries.
3. PE1 transmits the packet to P1.
4. P1 sets the MPLS EXP field value to 5 in the swapped label entry.
5. P1 transmits the packet to P2.
6. P2 pops the IGP label entry.
7. P2 transmits the packet to PE2.
8. PE2 pops the BGP label.
9. PE2 transmits the packet to CE2, but does QoS based on the IP DSCP value.

For additional information, see “MPLS DiffServ Tunneling Modes” at this URL:

[http://www.cisco.com/en/US/docs/ios/12\\_2t/12\\_2t13/feature/guide/ftdtmode.html](http://www.cisco.com/en/US/docs/ios/12_2t/12_2t13/feature/guide/ftdtmode.html)

## Short Pipe Mode Restrictions and Guidelines

The following restriction applies to Short Pipe mode:

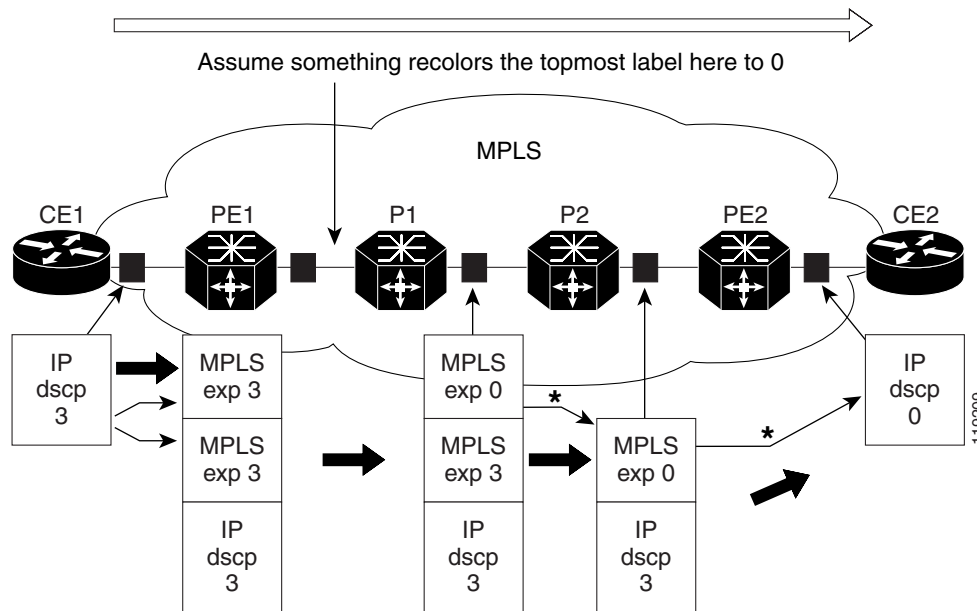
- Short Pipe mode is not supported if the MPLS-to-IP egress interface is EoMPLS (the adjacency has the end of marker (EOM) bit set).

## Uniform Mode

In Uniform mode, packets are treated uniformly in the IP and MPLS networks; that is, the IP precedence value and the MPLS EXP bits always correspond to the same PHB. Whenever a router changes or recolors the PHB of a packet, that change must be propagated to all encapsulation markings. The propagation is performed by a router only when a PHB is added or exposed due to label imposition or

disposition on any router in the packet's path. The color must be reflected everywhere at all levels. For example, if a packet's QoS marking is changed in the MPLS network, the IP QoS marking reflects that change.

**Figure 42-3 Uniform Mode Operation**



\*In both the MPLS-to-MPLS and the MPLS-to-IP cases, the PHBs of the topmost popped label is copied into the new top label or the IP DSCP if no label remains

The procedure varies according to whether IP precedence bit markings or DSCP markings are present.

The following actions occur if there are IP precedence bit markings:

1. IP packets arrive in the MPLS network at PE1, the service provider edge router.
2. A label is copied onto the packet.
3. If the MPLS EXP field value is recolors (for example, if the packet becomes out-of-rate because too many packets are being transmitted), that value is copied to the IGP label. The value of the BGP label is not changed.
4. At the penultimate hop, the IGP label is removed. That value is copied into the next lower level label.
5. When all MPLS labels have been removed from the packet that is sent out as an IP packet, the IP precedence or DSCP value is set to the last changed EXP value in the core.

The following is an example when there are IP precedence bit markings:

1. At CE1 (customer equipment 1), the IP packet has an IP precedence value of 3.
2. When the packet arrives in the MPLS network at PE1 (the service provider edge router), the IP precedence value of 3 is copied to the imposed label entries of the packet.
3. The MPLS EXP field in the IGP label header might be changed within the MPLS core (for example, at P1) by a mark down.



**Note**

Because the IP precedence bits are 3, the BGP label and the IGP label also contain 3 because in Uniform mode, the labels always are identical. The packet is treated uniformly in the IP and MPLS networks.

## Uniform Mode Restrictions and Guidelines

The following restriction applies to the Uniform mode:

- If the egress IP ACLs or service policies are configured on the MPLS-to-IP exit point, the Uniform mode is always enforced because of recirculation.

## MPLS DiffServ Tunneling Restrictions and Usage Guidelines

The MPLS DiffServ tunneling restrictions and usage guidelines are as follows:

- One label-switched path (LSP) can support up to eight classes of traffic (that is, eight PHBs) because the MPLS EXP field is a 3-bit field.
- MPLS DiffServ tunneling modes support E-LSPs. An E-LSP is an LSP on which nodes determine the QoS treatment for MPLS packet exclusively from the EXP bits in the MPLS header.

The following features are supported with the MPLS differentiated service (DiffServ) tunneling modes:

- MPLS per-hop behavior (PHB) layer management. (Layer management is the ability to provide an additional layer of PHB marking to a packet.)
- Improved scalability of the MPLS layer management by control on managed customer edge (CE) routers.
- MPLS can tunnel a packet's QoS (that is, the QoS is transparent from edge to edge). With QoS transparency, the IP marking in the IP packet is preserved across the MPLS network.
- The MPLS EXP field can be marked differently and separately from the PHB marked in the IP precedence or DSCP field.

## Configuring Short Pipe Mode

The following sections describe how to configure the Short Pipe mode:

- [Ingress PE Router—Customer Facing Interface, page 42-35](#)
- [Configuring Ingress PE Router—P Facing Interface, page 42-36](#)
- [Configuring the P Router—Output Interface, page 42-38](#)
- [Configuring the Egress PE Router—Customer Facing Interface, page 42-39](#)



### Note

- The steps that follow show one way, but not the only way, to configure Short Pipe mode.
- The Short Pipe mode on the egress PE (or PHP) is automatically configured when you attach to the interface an egress service policy that includes an IP class.

## Ingress PE Router—Customer Facing Interface

This procedure configures a policy map to set the MPLS EXP field in the imposed label entries.

To set the EXP value, the ingress LAN or OSM port must be untrusted. FlexWAN ports do not have the trust concept, but, as with traditional Cisco IOS routers, the ingress ToS is not changed (unless a marking policy is configured).

For MPLS and VPN, the ingress PE supports all ingress PFC3BXL or PFC3B IP policies. For information about the classification for PFC IP policies based on IP ACL/DSCP/precedence, see <http://www.cisco.com/en/US/docs/routers/7600/ios/12.2SXF/configuration/guide/qos.html>.

To configure a policy map to set the MPLS EXP field in the imposed label entries, perform this task:

|         | Command   | Purpose   |
|---------|---|---|
| Step 1  | Router(config)# <b>mls qos</b>  | Enables QoS functionality.  |
| Step 2  | Router(config)# <b>access-list</b><br><i>ipv4_acl_number_or_name</i> <b>permit any</b>  | Creates an IPv4 access list.  |
| Step 3  | Router(config)# <b>class-map</b> <i>class_name</i>  | Creates a class map.  |
| Step 4  | Router(config-cmap)# <b>match access-group</b><br><i>ipv4_acl_number_or_name</i>  | Configures the class map to filter with the ACL created in step 2.  |
| Step 5  | Router(config)# <b>policy-map</b> <i>policy_map_name</i>  | Creates a named QoS policy.   |
| Step 6  | Router(config-pmap)# <b>class</b> <i>class_name</i>   | Configures the policy to use the class map created in step 3.   |
| Step 7  | Router(config-pmap-c)# <b>police</b> <i>bits_per_second</i><br>[ <i>normal_burst_bytes</i> ] <b>conform-action</b><br><b>set-mpls-exp-transmit</b> <i>exp_value</i> <b>exceed-action</b><br><b>drop</b> | Configures policing, including the following: <ul style="list-style-type: none"> <li>Action to take on packets that conform to the rate limit specified in the service level agreement (SLA).</li> <li>Action to take on packets that exceed the rate limit specified in the SLA.</li> </ul> <p>The <i>exp_value</i> sets the MPLS EXP field.</p> |
| Step 8  | Router(config)# <b>interface</b> <i>type slot/port</i>  | Selects an interface to configure.  |
| Step 9  | Router(config-if)# <b>no mls qos trust</b>  | Configures the interface as untrusted.  |
| Step 10 | Router(config-if)# <b>service-policy input</b><br><i>policy_map_name</i>  | Attaches the policy map created in step 5 to the interface as an input service policy.  |

## Configuration Example

This example shows how to configure a policy map to set the MPLS EXP field in the imposed label entries:

```
Router(config)# mls qos
Router(config)# access-list 1 permit any
Router(config)# class-map CUSTOMER-A
Router(config-cmap)# match access-group 1
Router(config)# policy-map set-MPLS-PHB
Router(config-pmap)# class CUSTOMER-A
Router(config-pmap-c)# police 5000000 conform-action set-mpls-exp-transmit 4
exceed-action drop
Router(config)# interface GE-WAN 3/1
Router(config-if)# no mls qos trust
Router(config)# interface GE-WAN 3/1.31
Router(config-if)# service-policy input set-MPLS-PHB
```

## Configuring Ingress PE Router—P Facing Interface

This procedure classifies packets based on their MPLS EXP field and provides appropriate discard and scheduling treatments.

**Note**

QoS features shown here are available only with OSM and FlexWAN and Enhanced FlexWAN modules.

To classify packets based on their MPLS EXP field and provide appropriate discard and scheduling treatments, perform this task:

|                | Command  | Purpose  |
|----------------|--|--|
| <b>Step 1</b>  | Router(config)# <b>mls qos</b>   | Enables QoS functionality.   |
| <b>Step 2</b>  | Router(config)# <b>class-map</b> <i>class_name</i>                                 | Specifies the class map to which packets will be mapped (matched). Creates a traffic class.  |
| <b>Step 3</b>  | Router(config-c-map)# <b>match mpls experimental</b> <i>exp_list</i>               | Specifies the MPLS EXP field values used as a match criteria against which packets are checked to determine if they belong to the class.                                     |
| <b>Step 4</b>  | Router(config)# <b>policy-map</b> <i>name</i>                                      | Configures the QoS policy for packets that match the class or classes.   |
| <b>Step 5</b>  | Router(config-p-map)# <b>class</b> <i>class_name</i>                               | Associates the traffic class with the service policy.  |
| <b>Step 6</b>  | Router(config-p-map-c)# <b>bandwidth</b> <i>{bandwidth_kbps   percent percent}</i> | Specifies the minimum bandwidth guarantee to a traffic class. You can specify the minimum bandwidth guarantee in kilobits per second or by percent of the overall bandwidth. |
| <b>Step 7</b>  | Router(config-p-map)# <b>class class-default</b>                                   | Specifies the default class so that you can configure or modify its policy.  |
| <b>Step 8</b>  | Router(config-p-map-c)# <b>random-detect</b>                                       | Enables a WRED drop policy for a traffic class that has a bandwidth guarantee.   |
| <b>Step 9</b>  | Router(config)# <b>interface</b> <i>type slot/port</i>                             | Selects an interface to configure.   |
| <b>Step 10</b> | Router(config-if)# <b>service-policy output</b> <i>name</i>                        | Attaches a QoS policy to an interface and specifies that policies should be applied on packets leaving the interface.  |

**Note**

The **bandwidth** command and **random-detect** command are not supported on LAN ports.

## Configuration Example

This example shows how to classify packets based on their MPLS EXP field and provide appropriate discard and scheduling treatments:

```
Router(config)# mls qos
Router(config)# class-map MPLS-EXP-4
Router(config-c-map)# match mpls experimental 4
Router(config)# policy-map output-qos
Router(config-p-map)# class MPLS-EXP-4
Router(config-p-map-c)# bandwidth percent 40
Router(config-p-map)# class class-default
Router(config-p-map-c)# random-detect
Router(config)# interface pos 4/1
Router(config-if)# service-policy output output-qos
```

## Configuring the P Router—Output Interface


**Note**

QoS features shown here are available only with OSM and FlexWAN and Enhanced FlexWAN modules.

To classify packets based on their MPLS EXP field and provide appropriate discard and scheduling treatments, perform this task:

|         | Command  | Purpose  |
|---------|--|--|
| Step 1  | Router(config)# <b>mls qos</b>   | Enables QoS functionality.   |
| Step 2  | Router(config)# <b>class-map</b> <i>class_name</i>   | Specifies the class map to which packets will be mapped (matched). Creates a traffic class.  |
| Step 3  | Router(config-c-map)# <b>match mpls experimental</b> <i>exp_list</i>                               | Specifies the MPLS EXP field values used as a match criteria against which packets are checked to determine if they belong to the class.                                     |
| Step 4  | Router(config)# <b>policy-map</b> <i>name</i>  | Configures the QoS policy for packets that match the class or classes.   |
| Step 5  | Router(config-p-map)# <b>class</b> <i>class_name</i>   | Associates the traffic class with the service policy.  |
| Step 6  | Router(config-p-map-c)# <b>bandwidth</b> { <i>bandwidth_kbps</i>   <b>percent</b> <i>percent</i> } | Specifies the minimum bandwidth guarantee to a traffic class. You can specify the minimum bandwidth guarantee in kilobits per second or by percent of the overall bandwidth. |
| Step 7  | Router(config-p-map)# <b>class</b> <b>class-default</b>  | Specifies the default class so that you can configure or modify its policy.  |
| Step 8  | Router(config-p-map-c)# <b>random-detect</b>   | Applies WRED to the policy based on the IP precedence or the MPLS EXP field value.   |
| Step 9  | Router(config)# <b>interface</b> <i>type slot/port</i>   | Selects an interface to configure.   |
| Step 10 | Router(config-if)# <b>service-policy</b> <b>output</b> <i>name</i>                                 | Attaches a QoS policy to an interface and specifies that policies should be applied on packets leaving the interface.  |


**Note**

The **bandwidth** command and **random-detect** command are not supported on LAN ports.

## Configuration Example

This example shows how to classify packets based on their MPLS EXP field and provide appropriate discard and scheduling treatments:

```
Router(config)# mls qos
Router(config)# class-map MPLS-EXP-4
Router(config-c-map)# match mpls experimental 4
Router(config)# policy-map output-qos
Router(config-p-map)# class MPLS-EXP-4
Router(config-p-map-c)# bandwidth percent 40
Router(config-p-map)# class class-default
Router(config-p-map-c)# random-detect
Router(config)# interface pos 2/1
Router(config-if)# service-policy output output-qos
```

## Configuring the Egress PE Router—Customer Facing Interface



**Note** QoS features shown here are available only with OSM and FlexWAN and Enhanced FlexWAN modules.

To classify a packet based on its IP DSCP value and provide appropriate discard and scheduling treatments, perform this task:

|         | Command   | Purpose  |
|---------|---|--|
| Step 1  | Router(config)# <b>mls qos</b>  | Enables QoS functionality.   |
| Step 2  | Router(config)# <b>class-map</b> <i>class_name</i>  | Specifies the class map to which packets will be mapped (matched). Creates a traffic class.  |
| Step 3  | Router(config-c-map)# <b>match ip dscp</b> <i>dscp_values</i>   | Uses the DSCP values as the match criteria.  |
| Step 4  | Router(config)# <b>policy-map</b> <i>name</i>   | Configures the QoS policy for packets that match the class or classes.   |
| Step 5  | Router(config-p-map)# <b>class</b> <i>class_name</i>  | Associates the traffic class with the service policy.  |
| Step 6  | Router(config-p-map-c)# <b>bandwidth</b><br>{ <i>bandwidth_kbps</i>   <b>percent</b> <i>percent</i> } | Specifies the minimum bandwidth guarantee to a traffic class. You can specify the minimum bandwidth guarantee in kilobits per second or by percent of the overall bandwidth. |
| Step 7  | Router(config-p-map)# <b>class class-default</b>  | Specifies the default class so that you can configure or modify its policy.  |
| Step 8  | Router(config-p-map-c)# <b>random-detect</b><br><b>dscp-based</b>                                     | Enables a WRED drop policy for a traffic class that has a bandwidth guarantee.   |
| Step 9  | Router(config)# <b>interface</b> <i>type slot/port</i>  | Selects an interface to configure.   |
| Step 10 | Router(config-if)# <b>service-policy output</b> <i>name</i>   | Attaches a QoS policy to an interface and specifies that policies should be applied on packets leaving the interface.  |



**Note** The **bandwidth** command and **random-detect** command are not supported on LAN ports.

### Configuration Example

This example shows how to classify a packet based on its IP DSCP value and provide appropriate discard and scheduling treatments:

```
Router(config)# mls qos
Router(config)# class-map IP-PREC-4
Router(config-c-map)# match ip precedence 4
Router(config)# policy-map output-qos
Router(config-p-map)# class IP-PREC-4
Router(config-p-map-c)# bandwidth percent 40
Router(config-p-map)# class class-default
Router(config-p-map-c)# random-detect
Router(config)# interface GE-WAN 3/2.32
Router(config-if)# service-policy output output-qos
```

# Configuring Uniform Mode

This section describes how to configure the following:

- [Configuring the Ingress PE Router—Customer Facing Interface, page 42-40](#)
- [Configuring the Ingress PE Router—P Facing Interface, page 42-41](#)
- [Configuring the Egress PE Router—Customer Facing Interface, page 42-42](#)


**Note**

The steps that follow show one way, but not the only way, to configure the Uniform mode.

## Configuring the Ingress PE Router—Customer Facing Interface

For Uniform mode, setting the trust state to IP precedence or IP DSCP allows the PFC3BXL or PFC3B to copy the IP PHB into the MPLS PHB.


**Note**

This description applies to PFC3BXL or PFC3B QoS for LAN or OSM ports. For information about FlexWAN and Enhanced FlexWAN QoS, see the FlexWAN and Enhanced FlexWAN Modules Installation and Configuration Guide at this URL:

[http://www.cisco.com/en/US/docs/routers/7600/install\\_config/flexwan\\_config/flexwan-config-guide.html](http://www.cisco.com/en/US/docs/routers/7600/install_config/flexwan_config/flexwan-config-guide.html).

To configure a policy map to set the MPLS EXP field in imposed label entries, perform this task:

|         | Command  | Purpose  |
|---------|--|--|
| Step 1  | Router(config)# <b>mls qos</b>   | Enables QoS functionality.   |
| Step 2  | Router(config)# <b>access-list</b><br><i>ipv4_acl_number_or_name</i> <b>permit any</b>   | Creates an IPv4 access list.   |
| Step 3  | Router(config)# <b>class-map</b> <i>class_name</i>   | Creates a class map.   |
| Step 4  | Router(config-cmap)# <b>match access-group</b><br><i>ipv4_acl_number_or_name</i>   | Configures the class map to filter with the ACL created in Step 2.   |
| Step 5  | Router(config)# <b>policy-map</b> <i>policy_map_name</i>   | Creates a named QoS policy.  |
| Step 6  | Router(config-pmap)# <b>class</b> <i>class_name</i>  | Configures the policy to use the class map created in step 3.  |
| Step 7  | Router(config-pmap-c)# <b>police</b> <i>bits_per_second</i><br><i>[normal_burst_bytes]</i> <b>conform-action transmit</b><br><b>exceed-action drop</b> | Configures policing, including the following: <ul style="list-style-type: none"> <li>• Action to take on packets that conform to the rate limit specified in the SLA.</li> <li>• Action to take on packets that exceed the rate limit specified in the SLA.</li> </ul> |
| Step 8  | Router(config)# <b>interface</b> <i>type slot/port</i>   | Selects an interface to configure.   |
| Step 9  | Router(config-if)# <b>mls qos trust dscp</b>   | Configures received DSCP as the basis of the internal DSCP for all the port's ingress traffic.   |
| Step 10 | Router(config-if)# <b>service-policy input</b><br><i>policy_map_name</i>   | Attaches the policy map created in step 5 to the interface as an input service policy.   |

## Configuration Example

This example shows how to configure a policy map to set the MPLS EXP field in imposed label entries:

```
Router(config)# mls qos
Router(config)# access-list 1 permit any
Router(config)# class-map CUSTOMER-A
Router(config-cmap)# match access-group 1
Router(config)# policy-map SLA-A
Router(config-pmap)# class CUSTOMER-A
Router(config-pmap-c)# police 50000000 conform-action transmit exceed-action drop
Router(config)# interface GE-WAN 3/1
Router(config-if)# mls qos trust dscp
Router(config)# interface GE-WAN 3/1.31
Router(config-if)# service-policy input SLA-A
```

## Configuring the Ingress PE Router—P Facing Interface

To classify packets based on their MPLS EXP field and provide appropriate discard and scheduling treatments, perform this task:

|         | Command  | Purpose  |
|---------|--|--|
| Step 1  | Router(config)# mls qos  | Enables QoS functionality.   |
| Step 2  | Router(config)# <b>class-map</b> <i>class_name</i>                                 | Specifies the class map to which packets will be mapped (matched). Creates a traffic class.  |
| Step 3  | Router(config-c-map)# <b>match mpls experimental</b> <i>exp_list</i>               | Specifies the MPLS EXP field values used as a match criteria against which packets are checked to determine if they belong to the class.                                     |
| Step 4  | Router(config)# <b>policy-map</b> <i>name</i>                                      | Configures the QoS policy for packets that match the class or classes.   |
| Step 5  | Router(config-p-map)# <b>class</b> <i>class_name</i>                               | Associates the traffic class with the service policy.  |
| Step 6  | Router(config-p-map-c)# <b>bandwidth</b> <i>{bandwidth_kbps   percent percent}</i> | Specifies the minimum bandwidth guarantee to a traffic class. You can specify the minimum bandwidth guarantee in kilobits per second or by percent of the overall bandwidth. |
| Step 7  | Router(config-p-map)# <b>class class-default</b>                                   | Specifies the default class so that you can configure or modify its policy.  |
| Step 8  | Router(config-p-map-c)# <b>random-detect</b>                                       | Enables a WRED drop policy for a traffic class that has a bandwidth guarantee.   |
| Step 9  | Router(config)# <b>interface</b> <i>type slot/port</i>                             | Selects an interface to configure.   |
| Step 10 | Router(config-if)# <b>service-policy output</b> <i>name</i>                        | Attaches a QoS policy to an interface and specifies that policies should be applied on packets leaving the interface.  |



### Note

The **bandwidth** command and **random-detect** command are not supported on LAN ports.

## Configuration Example

This example shows how to classify packets based on their MPLS EXP field and provide appropriate discard and scheduling treatments:

```
Router(config)# mls qos
Router(config)# class-map MPLS-EXP-3
Router(config-c-map)# match mpls experimental 3
Router(config)# policy-map output-qos
Router(config-p-map)# class MPLS-EXP-3
Router(config-p-map-c)# bandwidth percent 40
Router(config-p-map)# class class-default
Router(config-p-map-c)# random-detect
Router(config)# interface pos 4/1
Router(config-if)# service-policy output output-qos
```

## Configuring the Egress PE Router—Customer Facing Interface

To configure the egress PE router at the customer-facing interface, perform this task:

|         | Command   | Purpose  |
|---------|---|--|
| Step 1  | Router(config)# <b>mls qos</b>  | Enables QoS functionality.   |
| Step 2  | Router(config)# <b>class-map</b> <i>class_name</i>  | Specifies the class map to which packets will be mapped (matched). Creates a traffic class.  |
| Step 3  | Router(config-c-map)# <b>match ip precedence</b><br><b>precedence-value</b>                           | Identifies IP precedence values as match criteria.   |
| Step 4  | Router(config)# <b>policy-map</b> <i>name</i>   | Configures the QoS policy for packets that match the class or classes.   |
| Step 5  | Router(config-p-map)# <b>class</b> <i>class_name</i>  | Associates the traffic class with the service policy.  |
| Step 6  | Router(config-p-map-c)# <b>bandwidth</b><br>{ <i>bandwidth_kbps</i>   <b>percent</b> <i>percent</i> } | Specifies the minimum bandwidth guarantee to a traffic class. You can specify the minimum bandwidth guarantee in kilobits per second or by percent of the overall bandwidth. |
| Step 7  | Router(config-p-map)# <b>class class-default</b>  | Specifies the default class so that you can configure or modify its policy.  |
| Step 8  | Router(config-p-map-c)# <b>random-detect</b>  | Applies WRED to the policy based on the IP precedence or the MPLS EXP field value.   |
| Step 9  | Router(config)# <b>interface</b> <i>type slot/port</i>  | Selects an interface to configure.   |
| Step 10 | Router(config-if) <b>mpls propagate-cos</b>   | Enables propagation of EXP value into the underlying IP DSCP at the MPLS domain exit LER egress port.  |
| Step 11 | Router(config-if)# <b>service-policy output</b> <i>name</i>   | Attaches a QoS policy to an interface and specifies that policies should be applied on packets coming into the interface.  |



### Note

The **bandwidth** command and **random-detect** command are not supported on LAN ports.

## Configuration Example

This example shows how to configure the egress PE router at the customer-facing interface:

```
Router(config)# mls qos
Router(config)# class-map IP-PREC-4
Router(config-c-map)# match ip precedence 4
Router(config)# policy-map output-qos
Router(config-p-map)# class IP-PREC-4
Router(config-p-map-c)# bandwidth percent 40
Router(config-p-map)# class class-default
Router(config-p-map-c)# random-detect
Router(config)# interface GE-WAN 3/2.32
Router(config-if) mpls propagate-cos
Router(config-if)# service-policy output output-qos
```



### Tip

For additional information (including configuration examples and troubleshooting information), see the documents listed on this page:

[http://www.cisco.com/en/US/products/hw/routers/ps368/tsd\\_products\\_support\\_series\\_home.html](http://www.cisco.com/en/US/products/hw/routers/ps368/tsd_products_support_series_home.html)

