



Cisco EV-DO Aggregation Solution

www.cisco.com/go/mobile

What Is EV-DO?

Evolution-Data Optimized (EV-DO) is a third-generation Code Division Multiple Access (CDMA) radio technology. EV-DO provides a higher-bandwidth mobile data service, which enables mobile service providers to deliver a better user experience for all mobile data applications. Examples of these applications include music, video, commerce, and gaming.

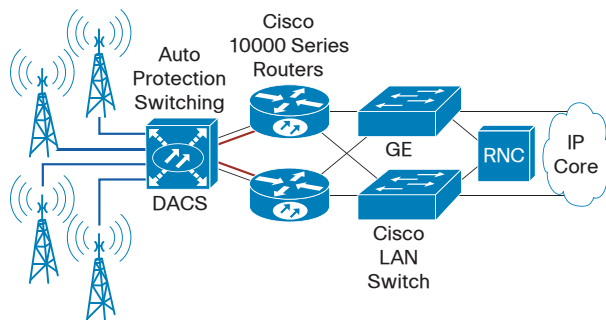
EV-DO can support quadruple-play: data, voice, video, and mobility.

Why Do We Need an EV-DO Aggregation Node?

The EV-DO design routes high-speed data and voice services onto different carriers. Often the EV-DO traffic is delivered to the Radio Network Controller (RNC) site through channelized DS-3, OC-3/STM-1, OC-12/STM-4, Fast Ethernet, or Gigabit Ethernet. The EV-DO RNC requires the combined traffic to be delivered using Gigabit Ethernet. The Cisco® aggregation node provides this grooming capability.

The Cisco solution is a fully redundant, carrier-class, high-availability aggregation solution with channelized optical connectivity, automatic protection switching, and full quality of service (QoS).

EV-DO Aggregation with Cisco 10000 Series



EV-DO Solution Specifications

- QoS, High-Level Data Link Control (HDLC), Multilink Point-to-Point Protocol (MLPPP), MC-MLP, Point-to-Point Protocol (PPP)
- Channelized connectivity: OC-12/STM-4, OC-3/STM-1, DS-3
- Gigabit Ethernet for IP interconnection
- Automatic protection switching for high-speed backup

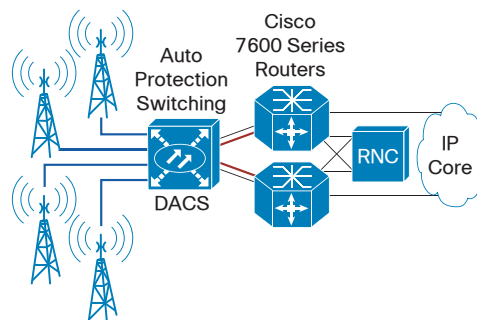
Aggregation density for Cisco 10000 Series Routers:

- T1: 2688 per unit
- E1: 2072 per unit
- Multilink groups: 1250 per unit
- 6 units per rack

Aggregation density for Cisco 7600 Series Routers:

- T1: 1792 per Cisco 7606 Router; 4928 per Cisco 7613 Router
- E1: 1008 per Cisco 7606; 2772 per Cisco 7613
- Multilink groups: 1024 per Cisco 7606; 2816 per Cisco 7613
- 6 x Cisco 7606 per rack; 2 x Cisco 7613 per rack

EV-DO Aggregation with Cisco 7600 Series



What Is the Cisco Difference?

Cisco is helping lead the way to tomorrow's integrated IP infrastructure with an entire suite of Radio Access Network (RAN) solutions that solve today's problems. This focus and expertise are evident in the EV-DO aggregation solution as well as Cisco solutions for CDMA and Global System for Mobile Communications (GSM) RAN optimization and broadband IP backhaul.

Why Implement the Cisco EV-DO Aggregation Solution?

Cisco provides a complete EV-DO aggregation solution proven to interoperate with all major RAN vendors.

Cisco EV-DO aggregation is deployed extensively in the world's largest CDMA networks, providing:

- Extended QoS
- Stateful failover
- Proven 99.999 percent availability
- In-Service Software Upgrade
- Metro Ethernet for alternative backhaul

Cisco EV-DO Aggregation Makes Good Business Sense

Extending the benefits of a Cisco IP Next-Generation Network into the RAN:

- Operating expense efficiency
- Integrated Network Management System (NMS) and support model with Cisco IP/Multiprotocol Label Switching (MPLS) core
- Primary step toward R5 compliance for an "all-IP" RAN